

标题: TJC4501 系列连接器

Title: TJC4501 Connector

目录

Index

1. 更改履历 Change record
2. 范围 Scope
3. 产品描述 Product description
4. 相关标准 Related standards
5. 参数范围 Parameter ratings
6. 产品性能 Performance
7. 测试分组 Test sequences

<b>浙江合兴电子元件有限公司</b> CWB Electronics(Zhejiang)Co.,Ltd.	<b>制定 Edit:</b> <u>汪乃浩 2022. 3. 10</u>	<b>产品名称 Product name:</b> <u>TJC4501</u>
中国·浙江省乐清市虹桥镇幸福东路 1098 号 合兴工业园 1098, Xingfu `Road(East), CWB Industrial Zone, Hongqiao, Yueqing, Zhejiang 325608, China Tel: 86-577-61313157 (Development Dept.) Tel: 86-577-62312253 (Sales Dept.)	<b>审核 Check:</b> <u>王国英 2022. 6. 17</u>	<b>编号 Document No.:</b> <u>PS4099</u>
	<b>批准 Approval:</b> <u>刘冬旭 2022. 6. 17</u>	<b>版本 Revision:</b> <u>3</u>

### 1.更改履历 Change record

版本号 Version No.	更改前描述 Description before modification	更改后描述 Description after modification	更改人/日期 Reviser/Date
0	/	First release	王曲 2021/10/8
1	/	Update specifications and part no according to new naming specifications	汪乃浩 2022/3/10
2	/	Version upgrade	王智彬 2022/4/20
3	/	新增 TJC4501 系列产品 New TJC4501 series products	尹恒 2022/6/17

产品名称 Product name	TJC4501	编号 Document No.	PS4099	版本号 Version No.	3
----------------------	---------	--------------------	--------	--------------------	---

### 2.适用范围 Scope

本产品规格书适用于浙江合兴电子元件有限公司生产的 WTW 4.5 阴型 & 阳型电子连接器，产品名称：TJC4501。

This product specification covers the requirement for WTW 4.5mm pitch Receptacle & Plug connector, which is designed and manufactured by CWB Electronics(ZheJiang) Co.,LTD. P/N: TJC4501.

### 3.产品描述 Product description

TJC4501 系列产品为家电连接器产品，产品部件组成如下：

The TJC4501 series connector designed for home appliances connection, part checklist as following form:

产品名称 Part name	规格描述 Part No.	曾用规格描述 Previous part No.	描述 Description		
插簧 Socket contact	CH-TJC4501-** CH-TJC4501-Q1-**	CH-TJC4501	AWG26~AWG22		
插簧 Socket contact	CH-TJC4501-1-** CH-TJC4501-1Q1-**	CH-TJC4501A	AWG20~AWG16		
插针 Pin contact	CZ-TJC4501-** CZ-TJC4501-Q1-**	CZ-TJC4501	AWG26~AWG22		
插针 Pin contact	CZ-TJC4501-1-** CZ-TJC4501-1Q1-**	CZ-TJC4501A	AWG20~AWG16		
针座(含锁紧片保持结构) Receptacle housing (W/Retainer)	TJC4501-nAR (**-*)	TJC4501-nA-1	PA66 UL94V-0		
针座(含锁紧片保持结构) Receptacle housing (W/Retainer)	TJC4501B-nAR (**-*)	TJC4501A-nA-1	PA66 UL94V-0		
针座(含锁紧片保持结构) Receptacle housing (W/Retainer)	TJC4501B-m×nAR (**-*)	TJC4501A-nA-1	PA66 UL94V-0		
针座(面板安装, 含锁紧片保持结构) Receptacle housing (Panel mount, W/Retainer)	TJC4501-nARP *(**-*)	TJC4501-nA	PA66 UL94V-0 / PA66 UL94V-0 GWT750°C		
针座(面板安装, 含锁紧片保持结构) Receptacle housing (Panel mount, W/Retainer)	TJC4501-m×nARP *(**-*)	TJC4501-nA	PA66 UL94V-0 / PA66 UL94V-0 GWT750°C		
针座(面板安装, 含锁紧片保持结构) Receptacle housing (Panel mount, W/Retainer)	TJC4501B-nARP *(**-*)	TJC4501A-nA	PA66 UL94V-0 / PA66 UL94V-0 GWT750°C		
针座(面板安装, 含锁紧片保持结构) Receptacle housing (Panel mount, W/Retainer)	TJC4501B-m×nARP *(**-*)	TJC4501A-nA	PA66 UL94V-0 / PA66 UL94V-0 GWT750°C		
孔座(含锁紧片保持结构)	TJC4501-nY *(**-*)	TJC4501-nY	PA66 UL94V-0 / PA66 UL94V-0		
产品名称 Product name	TJC4501	编号 Document No.	PS4099	版本号 Version No.	3

Plug housing (W/Retainer)			GWT750°C
孔座(含锁紧片保持结构) Plug housing (W/Retainer)	TJC4501-m×nY *(***)	TJC4501-nY	PA66 UL94V-0 /PA66 UL94V-0 GWT750°C
孔座(含锁紧片保持结构) Plug housing (W/Retainer)	TJC4501B-nY *(***)	TJC4501A-nY	PA66 UL94V-0 /PA66 UL94V-0 GWT750°C
孔座(含锁紧片保持结构) Plug housing (W/Retainer)	TJC4501B-m×nY *(***)	TJC4501A-nY	PA66 UL94V-0 /PA66 UL94V-0 GWT750°C
锁紧片 Retainer	TJC4501-nS *(***)	TJC4501-nAS	PA66 UL94V-0 GWT750°C

#### 4. 相关标准 Related standards

以下参考文件是本规格书的一个组成部份。若本规格书中的要求与产品图纸发生冲突，则产品图中的要求为优先；若本规格书中的要求与参考文件中的要求冲突，则本规格书为优先。

The following documents form a part of this specification. In the event of conflict between the requirements of this specification and the product drawing, the product drawing shall take precedence. In the event of conflict between the requirements of this specification and the referenced documents, this specification shall take precedence.

GB/T 2421	电工电子产品环境试验 第一部分 总则 Testing method for environmental of electrical connectors Class 1: General principles
GB/T 2423	电工电子产品环境试验方法 Testing method for environmental of electrical connectors
GB/T 2424	电工电子产品环境试验导则 Testing method for environmental of electrical connectors
GB/T 5095	电子设备用机电元件基本试验规程及测量方法 Testing procedure/method for components of electric equipment
EIA-364	EIA-364 系列标准 EIA-364 series standards

产品符合 RoHS 标准。

The product should comply with RoHS.

产品名称 Product name	TJC4501	编号 Document No.	PS4099	版本号 Version No.	3
----------------------	---------	--------------------	--------	--------------------	---



## 5. 参数范围 Parameter ratings:

额定电流 [AC(有效值)/DC] Rated current [AC(rms)/DC]	CH-TJC4501 CZ-TJC4501 CH-TJC4501-1 CZ-TJC4501-1	CH-TJC4501-Q1 CZ-TJC4501-Q1 CH-TJC4501-1Q1 CZ-TJC4501-1Q1
	AWG16: 10A AWG18: 7A AWG20: 5A AWG22~AWG26: 3A	AWG16: 10A AWG18: 7A AWG20: 5A AWG22~AWG26: 3A
额定电压[AC(有效值)/DC] Rated voltage [AC(rms)/DC]	300V	
使用温度范围（包含温升） Operating temperature range (include temperature rise)	-25℃~+90℃	
适用线型（具体适用线型请参考压接规格书） Applicable wires(Please refer to the crimping specification for details)	CH-TJC4501/CZ-TJC4501/CH-TJC4501-Q1/CZ-TJC4501-Q1: Wire size: AWG26~AWG22(0.13mm <sup>±</sup> 0.33 mm <sup>±</sup> ) Insulation diameter: Φ1.3mm-Φ1.6mm	
	CH-TJC4501-1/CZ-TJC4501-1/CH-TJC4501-1Q1/CZ-TJC4501-1Q1: Wire size: AWG20~AWG16(0.52mm <sup>±</sup> 1.3 mm <sup>±</sup> ) Insulation diameter: Φ1.8mm-Φ2.35mm	

## 6. 产品性能 Performance

## 6.1 机械性能 Mechanical

序号 No.	项目 Item	测试条件 Test condition	规格 Requirement
6.1.1	外观 Appearance	目测 Checking by eyes 视力: 1.0 以上 Eyesight: > 1.0 照明: (200~300) lx Lamp: (200~300) lx 目测距离: (0.3~0.5) m Space: (0.3~0.5) m GB/T 5095.1 Method 1a	1. 塑料件表面应无明显疤痕、凹陷、开裂及影响使用的变形。 Plastic part: smooth and flat surface without discolor, broken, crack, and distortion, etc. 2. 金属件表面无锈蚀、氧化、无明显的机械损伤及电镀层脱落等缺陷。 Metal part: bright and even surface without rust, oxide, fog and obvious physical damage, etc.

产品名称 Product name	TJC4501	编号 Document No.	PS4099	版本号 Version No.	3
----------------------	---------	--------------------	--------	--------------------	---

6.1.2	端子插入力与固定力 Insertion force and retention force for contact	应测量将端子沿轴线方向插入孔座和拔出孔座的力，测试速度不大于25 mm/min。 The force of inserting and pulling the contact into and out of the housing along the axis shall be measured (Testing speed: <25 mm/min.) <b>GB/T 5095.8 Method 15d / EIA-364-29B</b>	插入力: ≤6.9N 固定力: ≥29.4N Insertion force: ≤6.9N Retention force: ≥29.4N		
6.1.3	压着部位抗张强度 Crimp tensile strength	在已压接端子的头部和导线上施加拉力，并测量将导线从端子拉出或导线断裂所需的力，测试速度不大于25 mm/min。 Pulling load shall be applied to a correctly crimped contact and a wire. The load required to pull the wire out of the contact or break the wire shall be measured. (Testing speed: <25 mm/min.) <b>GB/T 5095.8 Method 16d / EIA-364-08B</b>	AWG 16: 98.0N Min. AWG 18: 78.4N Min. AWG 20: 63.7N Min. AWG 22: 44.1N Min. AWG 24: 29.4N Min. AWG 26: 19.6N Min		
6.1.4	锁扣强度 Lock strength	固定连接器和测力计，在连接器轴线方向将配合后的连接器拔出，速度不大于25 mm/min.，测量时连接器应无端子或端子不影响锁扣强度的测量结果 Apply axial withdraw force on the connector which without contact or the contacts shall not affect lock strength at a rate less than 25 mm/min. <b>GB/T 5095.8 Method 15a / EIA-364-29B</b>	29.4N Min.		
6.1.5	成品插入力与拔出力（去锁扣） Insertion force and withdrawal force (without lock)	将装有已压接端子的孔座与针座做插入和拔出，测量首次插入力、首次拔出力及第10次拔出力（速度不大于25mm/min.） A receptacle housing with crimped contacts and plug housing shall be mated and unmated on the mating axis. Initial insertion and withdrawal forces and withdrawal force at 10th shall be measured. (Testing speed: <25 mm/min.) <b>GB/T 5095.7 Method 13b / EIA-364-13B</b>	首次插入力 (Insertion)Max. 1st	首次拔出力 (Withdrawal)Min. 1st	10次拔出力 (Withdrawal)Min. 10th
			小于 9.8N×接触件数 9.8 N Max×No. of poles.	大于 1.5N×接触件数 1.5 N Min×No. of poles.	大于 1N×接触件数 1 N Min×No. of poles.
6.1.6	机械振动 Vibration	插合连接器，串联在直流电源上，电流100mA；并模拟正常工作状态：振频为（10~55~10）Hz，每个循环时间为1分钟，振幅1.52mm。沿XYZ三轴正反方向各循环2小时 Mate connectors subjected them to following vibration conditions, for a period of 2 hours in each of 3 mutually perpendicular axes, 100 mA current shall be applied. Frequency: (10~55~10)Hz/min. Cycling time: 1 min. Amplitude: 1.52mm. <b>GB/T 5095.4 Method 6d / EIA-364-28D</b>	外观：无损伤（参照6.1.1） Appearance: no damage.( refer to 6.1.1) 接触电阻：20mΩ Max. Contact resistance: 20mΩ Max. 电流中断时间：1μsec Max Current interruption: 1μsec Max		
6.1.7	机械冲击 Shock	连接器相配，沿XYZ三轴正反方向各冲击3次（总共18次），在测试过程中通以100mA电流 冲击强度：490m/s <sup>2</sup> 持续时间：11ms Mate connectors and subject them to the following shock conditions, 3 times of shock shall be applied for each 6 directions along 3 mutually perpendicular axes, passing DC 100mA current during the test.(total of 18 shocks) Test pulse: 490m/s <sup>2</sup> Duration: 11ms <b>GB/T 5095.4 Method 6c / EIA-364-27B</b>	外观：无损伤（参照6.1.1） Appearance: no damage.( refer to 6.1.1) 电流中断时间：1μsec Max Current interruption: 1μsec Max		

产品名称 Product name	TJC4501	编号 Document No.	PS4099	版本号 Version No.	3
----------------------	---------	--------------------	--------	--------------------	---

6.1.8	机械寿命 Durability	以每分钟 10 次的速度插拔 50 次 50 cycles for mating and unmating test at the speed of 10 cycles per minute <b>GB/T 5095.5 Method 9a / EIA-364-09C</b>	外观: 无损伤 (参照6.1.1) Appearance: no damage. (refer to 6.1.1) 接触电阻: 10mΩ Max. Contact resistance: 10mΩ Max.
-------	--------------------	--	--

## 6.2 电气性能 Electrical

序号 No.	项目 Item	测试条件 Test condition	规格 Requirement
6.2.1	接触电阻 Contact resistance	插配阴阳连接器后,用小功率电路进行测试 Mate connectors with dry circuit to test contact resistance <b>GB/T 5095.2 Method 2a / EIA-364-23B</b>	7mΩ Max. (Initial)
6.2.2	绝缘电阻 Insulation resistance	在相邻接触件之间或地线之间,用 500V DC 电压进行测试 Apply a voltage of 500V DC between adjacent contacts and between contacts to ground. <b>GB/T 5095.2 Method 3a / EIA-364-21C</b>	1000 MΩ Min. ( Initial) 500 MΩ Min. (Final)
6.2.3	耐电压 Withstand voltage	相邻接触件之间或地线之间施加 1500V AC (有效值),漏电流 1mA 的电压作用,时间 1min. Apply a voltage of 1500V AC (rms) and leakage current of 1mA between adjacent contacts or ground cables for 1 minute. <b>GB/T 5095.2 Method 4a / EIA-364-20B</b>	外观: 无击穿和飞弧现象 Appearance: no breakdown or flashover
6.2.4	温升 Temperature rise	插合连接器, 通以最大允许电流, 测温度的差值 Mate connectors and measure the temperature rise of contact when the maximum AC rated current is passed. <b>GB/T 5095.3 Method 5a / EIA-364-70A</b>	Δ30℃ Max.

## 6.3 环境性能 Environmental

序号 No.	项目 Item	测试条件 Test condition	规格 Requirement
6.3.1	耐高温 Heat resistance	连接器配合后, 于 (105±2)℃ 的空气中放置 240 小时, 再回到室温中放置 (1~2) 小时测定 Mated connectors exposed to the condition of (105±2)℃ for 240 hours, recovery time (1~2) hours <b>GB/T 5095.6 Method 11i / EIA-364-17B</b>	外观: 无损伤 (参照6.1.1) Appearance: no damage.(refer to 6.1.1) 接触电阻: 10mΩ Max. Contact resistance: 10mΩ Max. 绝缘电阻: 500 MΩ Min. Insulation resistance: 500 MΩ Min. 耐电压: 1000V Min. Withstand voltage: 1000V Min.
6.3.2	耐低温 Cold resistance	连接器配合后, 于 (-25±2)℃ 的空气中放置 240 小时, 再回到室温中放置 (1~2) 小时测定 Mated connectors exposed to the condition of (-25±2)℃ for 240hours, recovery time (1~2) hours <b>GB/T 5095.6 Method 11j / EIA-364-17B</b>	外观: 无损伤 (参照6.1.1) Appearance: no damage. (refer to 6.1.1) 接触电阻: 10mΩ Max. Contact resistance: 10mΩ Max. 绝缘电阻: 500 MΩ Min. Insulation resistance: 500 MΩ Min. 耐电压: 1000V Min. Withstand voltage: 1000V Min.

产品名称 Product name	TJC4501	编号 Document No.	PS4099	版本号 Version No.	3
----------------------	---------	--------------------	--------	--------------------	---

6.3.3	恒定湿热 Humidity	<p>温度(40±2)℃, 相对湿度(90~95)% 搁置时间 240 小时, 取出恢复(1~2)小时后检查。 Mated connectors exposed to the condition of temperature (40±2)℃, humidity (90~95)% for 240 hours, recovery time (1~2) hours <b>GB/T 5095.6 Method 11c /EIA-364-31B</b></p>	<p>外观: 无损伤 (参照6.1.1) Appearance: no damage. ( refer to 6.1.1) 接触电阻: 10mΩ Max. Contact resistance: 10mΩ Max. 绝缘电阻: 500 MΩ Min. Insulation resistance:500 MΩ Min. 耐电压: 1000V Min. Withstand voltage: 1000V Min.</p>															
6.3.4	温度循环 Temperature cycling	<p>把试验样品分别放入高、低温试验箱中, 按下列步骤调试温度: a) 在(-55±2)℃的恒温条件下放置 0.5 小时; b) 在(85±2)℃的恒温条件下放置 0.5 小时; 从 a)到 b)为一个循环, 周期温度转换时间应不大于 5 分钟, 共进行 25 个循环,恢复(1~2)小时后检查 Mated connectors shall be tested under the following conditions</p> <table border="1" data-bbox="411 728 922 884"> <thead> <tr> <th>Temperature</th> <th>℃</th> <th>Duration</th> </tr> </thead> <tbody> <tr> <td>1</td> <td>-55±2</td> <td>0.5h</td> </tr> <tr> <td>2</td> <td>Room Temp.</td> <td>5 minutes Max.</td> </tr> <tr> <td>3</td> <td>+85±2</td> <td>0.5h</td> </tr> <tr> <td>4</td> <td>Room Temp.</td> <td>5 minutes Max.</td> </tr> </tbody> </table> <p>Step 1 to 4 is one cycle,25 cycles shall be tested, recovery time (1~2) hours <b>GB/T 5095.6 method 11d /EIA-364-32C</b></p>	Temperature	℃	Duration	1	-55±2	0.5h	2	Room Temp.	5 minutes Max.	3	+85±2	0.5h	4	Room Temp.	5 minutes Max.	<p>外观: 无损伤 (参照6.1.1) Appearance: no damage. ( refer to 6.1.1) 接触电阻: 10mΩ Max. Contact resistance: 10mΩ Max. 绝缘电阻: 500 MΩ Min. Insulation resistance:500 MΩ Min. 耐电压: 1000V Min. Withstand voltage: 1000V Min.</p>
Temperature	℃	Duration																
1	-55±2	0.5h																
2	Room Temp.	5 minutes Max.																
3	+85±2	0.5h																
4	Room Temp.	5 minutes Max.																
6.3.5	盐雾 Salt spray	<p>把试验样品从试验箱顶悬挂下来, 采用浓度为(5±1)% (质量百分比)的氯化钠溶液, 在(35±2)℃温度下连续雾化 48 小时, 试验后用流动的蒸馏水轻轻洗去表面沉积物。在常温常湿条件下恢复(1~2)小时 48 hours spray, at temp (35±2)℃, NaCl mist concentration (5±1)%. After test wash parts and put it into room ambient for (1~2) hours <b>GB/T 5095.6 Method 11f /EIA-364-26B</b></p>	<p>外观: 无损伤(五金件应无露出底金属的严重锈蚀; 使用预镀好的型材, 其落料面允许有不影响其性能的轻微腐蚀。) Appearance: no damage (no erosion on material exposed. and plating material, slight erosion on the cutting surface is acceptable) 接触电阻: 10mΩ Max. Contact resistance: 10mΩ Max.</p>															
6.3.6	工业气体(氨气) Industrial gas(Ammonia) (NH <sub>3</sub> )	<p>连接器在每升容积内含25毫升3%氨溶液的氨气箱中暴露7小时 After 7 hours exposure in ammonia chamber with 25 mL of 3% ammonia solution for every liter of chamber capacity</p>	<p>无应力腐蚀开裂 No stress corrosion cracking</p>															
6.3.7	硫化氢气体测试 (H <sub>2</sub> S gas test)	<p>连接器配合后, 在温度(40±3)℃、湿度75%、H<sub>2</sub>S 气体浓度为 3ppm 的环境中放置 96 小时 Mated connectors exposed to the condition of temperature (40±3)℃, humidity 75%, H<sub>2</sub>S gas concentration of 3ppm for 96 hours</p>	<p>接触电阻: 10mΩ Max. Contact resistance: 10mΩ Max.</p>															

产品名称 Product name	TJC4501	编号 Document No.	PS4099	版本号 Version No.	3
PAGE: 8 / 9					

## 7.测试分组 Test sequences (Samples:5PCS)

测试组 Group number	A	B	C	D	E	F	G	H	I	J	K	L	M	N
外观 Appearance	1	1	1	1,5	1,3	1,5	1	1,7	1,7	1,7	1,7	1,3	1,3	1,5
端子的插入力与固定力 Insertion force and retention force for contact	2													
压着部位抗张强度 Crimping pull out force		2												
成品插入力与拔出力 Insertion and withdrawal force for connector			2											
机械振动 Random vibration				3										
机械冲击 Shock					2									
机械寿命 Durability						3								
接触电阻 Contact resistance				2,4		2,4		2,4	2,4	2,4	2,4			2,4
绝缘电阻 Insulation resistance								5	5	5	5			
耐电压 Withstand voltage								6	6	6	6			
温升 Temperature rise							2							
耐高温 Heat resistance								3						
耐低温 Cold resistance									3					
恒定湿热 Humidity										3				
温度循环 Temperature cycling											3			
盐雾 Salt spray												2		
工业气体(氨气)Industrial gas(Ammonia)(NH <sub>3</sub> )													2	
硫化氢气体测试 (H <sub>2</sub> S gas test)														3

产品名称  
Product name

TJC4501

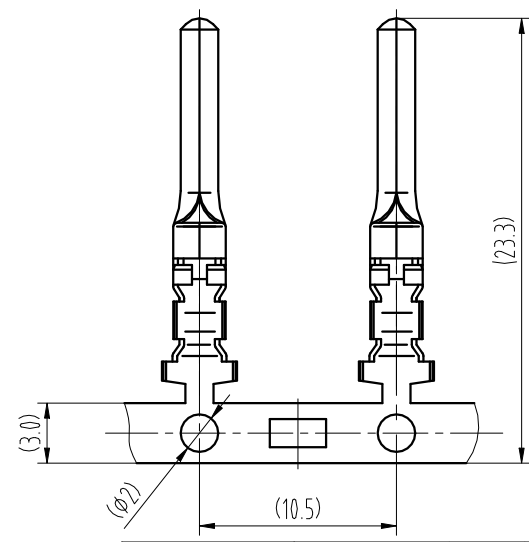
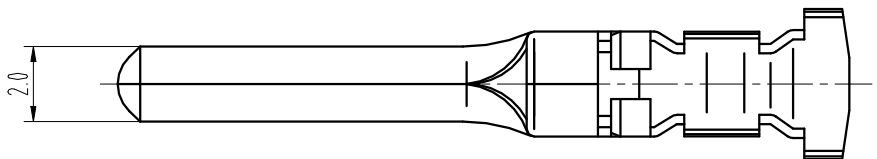
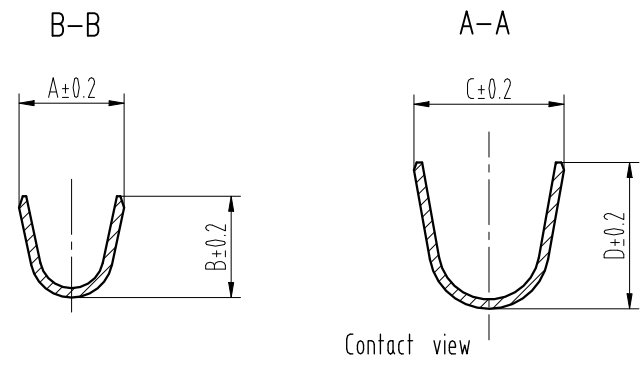
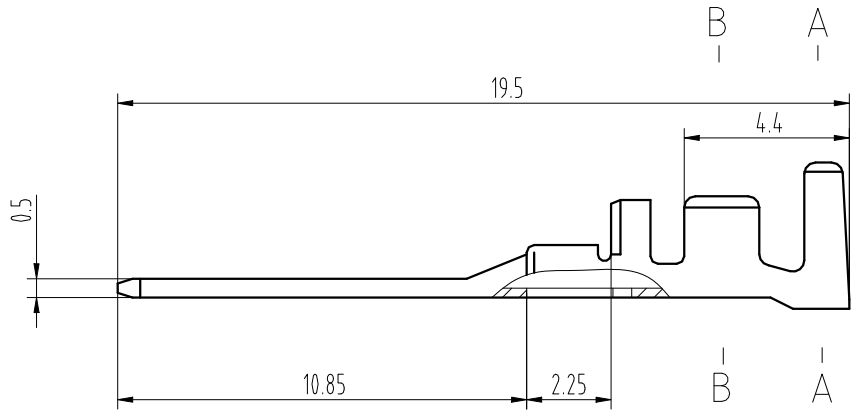
编号  
Document No.

PS4099

版本号  
Version No.

3

General tolerance	Dimension	Tolerance	Rev. No	Location	Description	Reviser	Date
	0~3	±0.13					
	3~18	±0.23					
	18~50	±0.35					
	≥50	±0.55					



Notes:

- material:  
Standards: phosphor bronze; thickness=0.25mm  
Others: high performance phospher bronze; thickness=0.25mm
- Surface finish: tin plated
- Matched receptacle housing: TJC4501-nARP, TJC4501B-nARP, TJC4501-nAR, TJC4501B-nAR  
TJC4501-mXnARP, TJC4501B-mXnARP, TJC4501B-mXnAR
- Applicable wires:  
CZ-TJC4501/CZ-TJC4501-Q1:AWG26~ AWG22  
CZ-TJC4501-1/CZ-TJC4501-1Q1:AWG20~ AWG16
- Compliant to the current RoHS

Part No.	Remark
CZ-TJC4501-Q1-**	Off-standard, high performance phospher bronze
CZ-TJC4501-1Q1-**	
CZ-TJC4501-**	Standards, phosphor bronze
CZ-TJC4501-1-**	

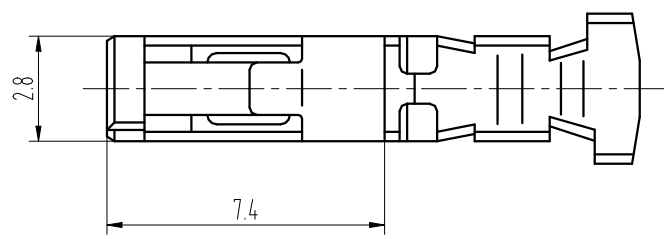
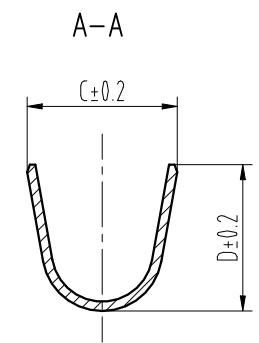
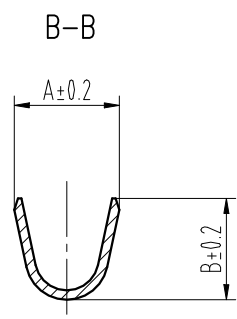
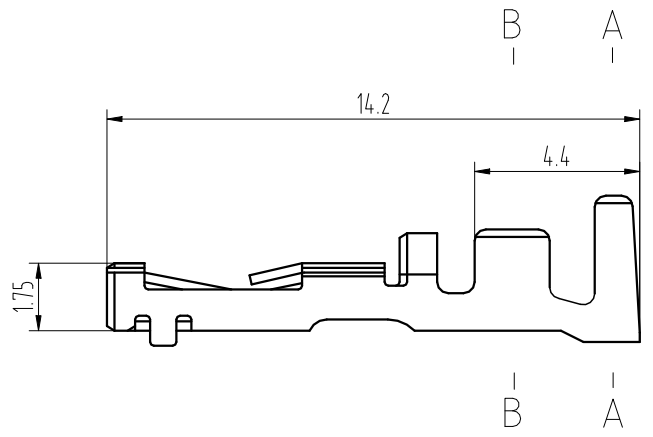
CUSTOMER DRAWING			
Drawn	Naihao.Wang	2022.3.10	
Checked	Qu.Wang	2022.3.10	
Approved	Dongxu.Liu	2022.3.10	
Unit	mm	Scale	5:1
Size	A4	Edition	B2
Sheet No.	1 of 1		

Title:			
4.5mm pitch WTW pin contact			
Part No.: CZ-TJC4501-**-**			
Previous part No.: CZ-TJC4501/CZ-TJC4501A			
Document No.: CP-DWG-01117			
Specification No.: PS4099			

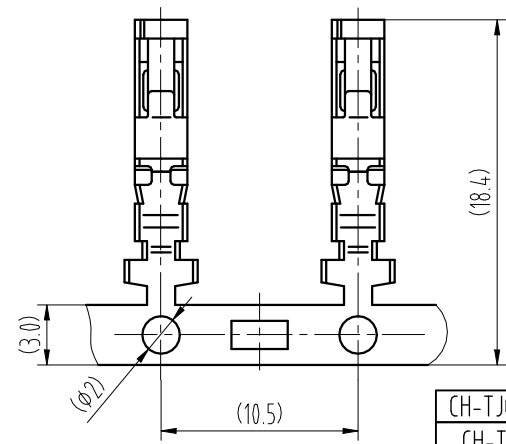
Part No.	Previous part No.	Dimension			
		A	B	C	D
CZ-TJC4501-1Q1	/	2.8	2.7	4.0	3.9
CZ-TJC4501-1	CZ-TJC4501A	2.8	2.7	4.0	3.9
CZ-TJC4501-Q1	/	2.0	1.6	2.6	2.7
CZ-TJC4501	CZ-TJC4501	2.0	1.6	2.6	2.7



General tolerance	Dimension	Tolerance	Rev. No	Location	Description	Reviser	Date
	0~3	±0.13					
	3~18	±0.23					
	18~50	±0.35					
	≥50	±0.55					



Contact view



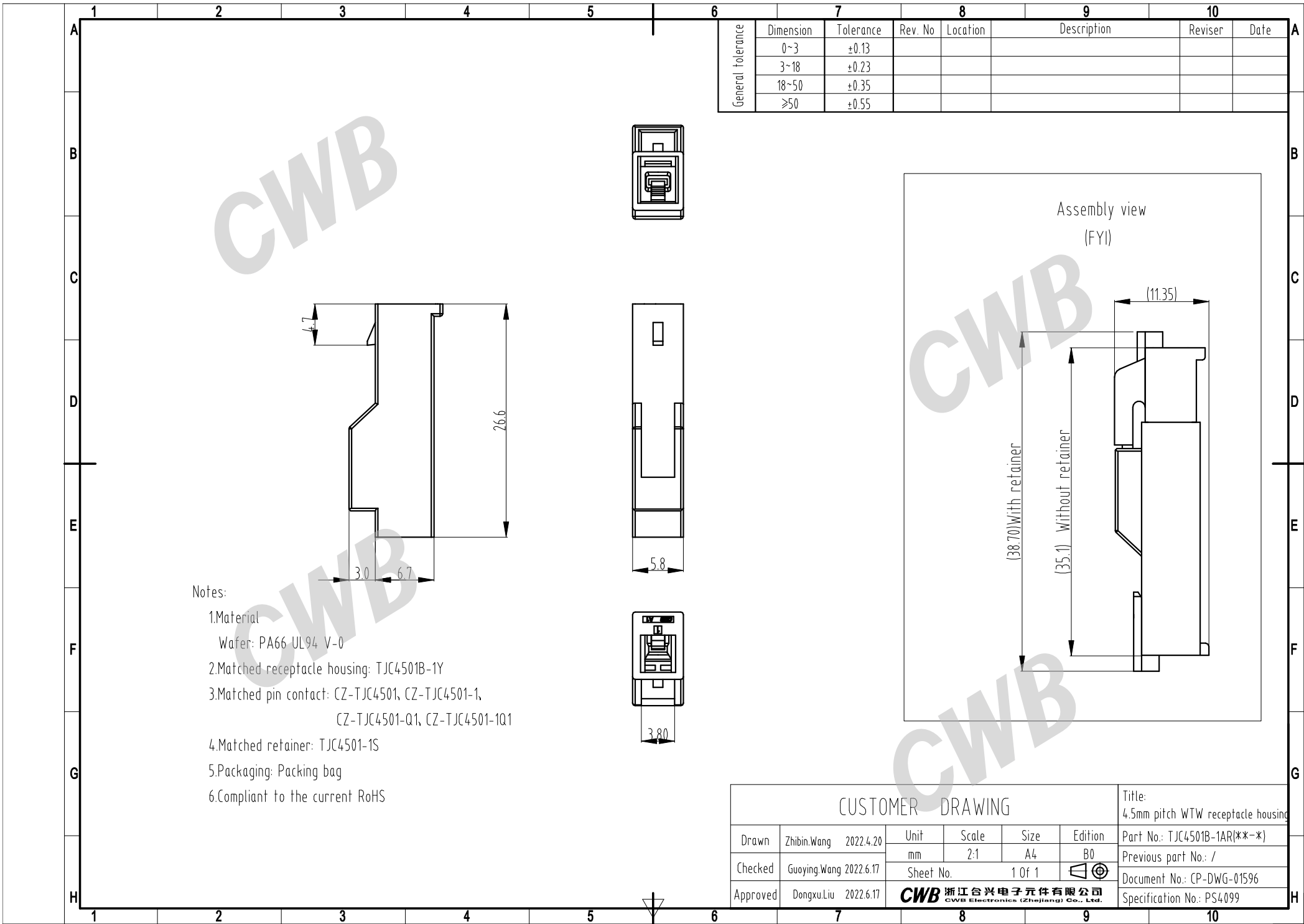
Notes:

- 1.material:
  - Standards: phosphor bronze; thickness=0.25mm
  - Others: high performance phospher bronze; thickness=0.25mm
- 2.Surface finish: tin plated
- 3.Matched receptacle housing: TJC4501-nY, TJC4501B-nY, TJC4501-mXnY, TJC4501B-mXnY
- 4.Applicable wires:
  - CH-TJC4501/CH-TJC4501-Q1:AWG26~ AWG22
  - CH-TJC4501-1/CH-TJC4501-1Q1:AWG20~ AWG16
- 5.Compliant to the current RoHS

CH-TJC4501-1Q1	/	2.8	2.7	4.0	3.9
CH-TJC4501-1	CH-TJC4501A	2.8	2.7	4.0	3.9
CH-TJC4501-Q1	/	2.0	1.6	2.6	2.7
CH-TJC4501	CH-TJC4501	2.0	1.6	2.6	2.7
Part No.	Previous part No.	Dimension			
		A	B	C	D

Part No.	Remark
CH-TJC4501-Q1-**	Off-standards, high performance phospher bronze
CH-TJC4501-1Q1-**	
CH-TJC4501-**	Standard product, phosphor bronze
CH-TJC4501-1-**	

CUSTOMER DRAWING								Title: 4.5mm pitch WTW socket contact	
Drawn	Naihao.Wang	2022.3.10	Unit	Scale	Size	Edition	Part No.: CH-TJC4501-**-**		
Checked	Qu.Wang	2022.3.10	mm	5:1	A4	B2	Previous part No.: CH-TJC4501/CH-TJC4501A		
Approved	Dongxu.Liu	2022.3.10	Sheet No. 1 Of 1				Document No.: CP-DWG-01116		
<b>CWB 浙江合兴电子元件有限公司</b> CWB Electronics (Zhejiang) Co., Ltd.						Specification No.: PS4099			



General Tolerance	Dimension	Tolerance	Rev. No	Location	Description	Reviser	Date
	0~3	±0.13					
	3~18	±0.23					
	18~50	±0.35					
	≥50	±0.55					

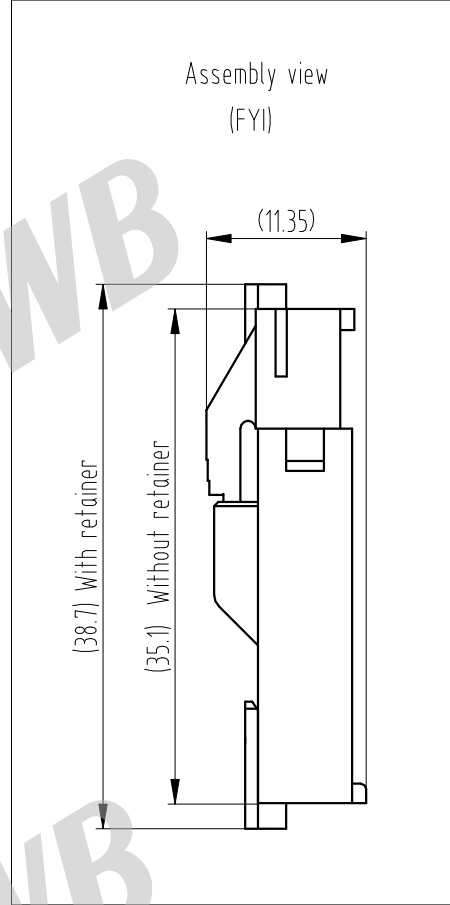
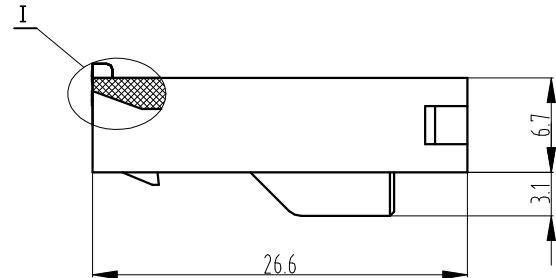
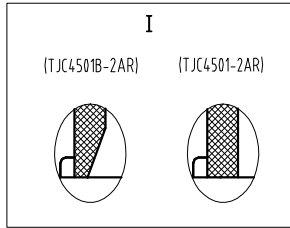
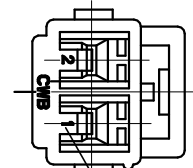
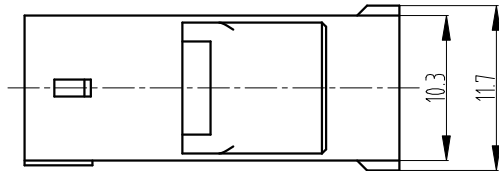
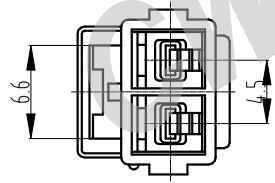
Notes:

1. Material  
Wafer: PA66 UL94 V-0
2. Matched receptacle housing: TJC4501B-1Y
3. Matched pin contact: CZ-TJC4501, CZ-TJC4501-1,  
CZ-TJC4501-Q1, CZ-TJC4501-1Q1
4. Matched retainer: TJC4501-1S
5. Packaging: Packing bag
6. Compliant to the current RoHS

CUSTOMER DRAWING						Title: 4.5mm pitch WTW receptacle housing	
Drawn	Zhibin.Wang	2022.4.20	Unit	Scale	Size	Edition	Part No.: TJC4501B-1AR(**-*)
Checked	Guoying.Wang	2022.6.17	mm	2:1	A4	B0	Previous part No.: /
Approved	Dongxu.Liu	2022.6.17	Sheet No. 1 Of 1				Document No.: CP-DWG-01596
<b>CWB</b> 浙江合兴电子元件有限公司 <small>CWB Electronics (Zhejiang) Co., Ltd.</small>						Specification No.: PS4099	



General tolerance	Dimension	Tolerance	Rev. No	Location	Description	Reviser	Date
	0~3	±0.13					
	3~18	±0.23					
	18~50	±0.35					
	≥50	±0.55					

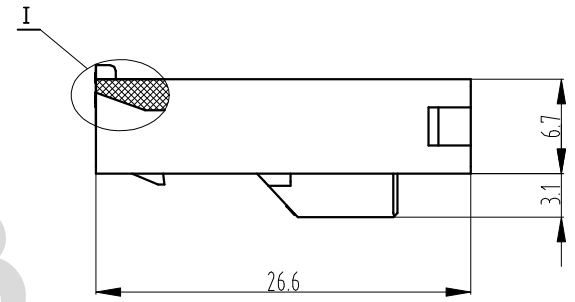
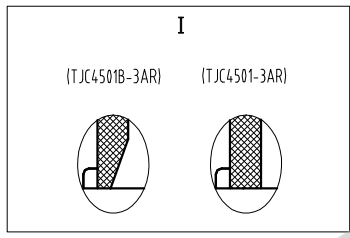
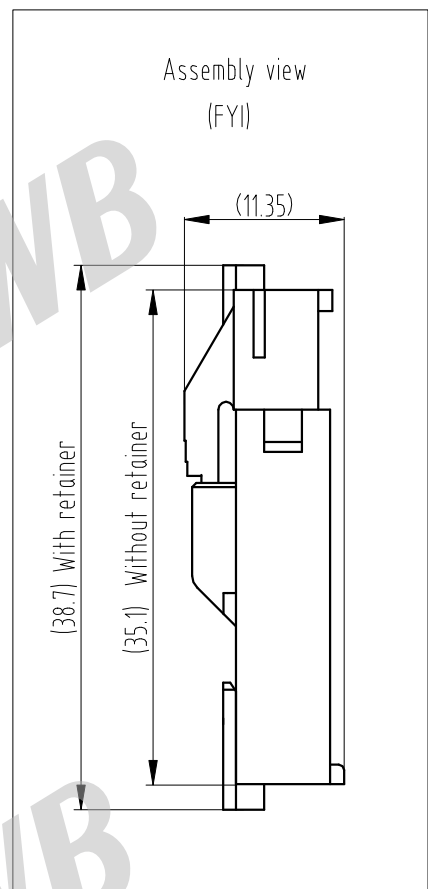
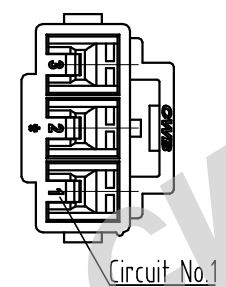
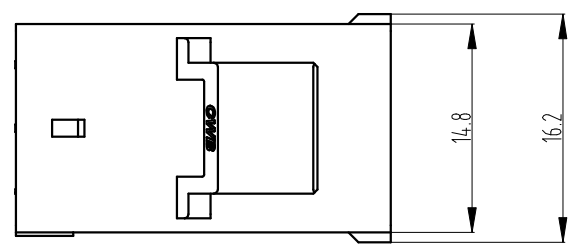
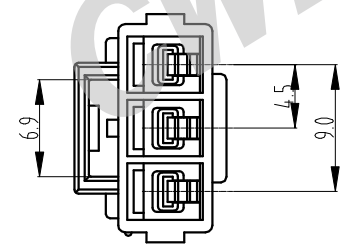


Notes:

- Material  
Wafer: PA66 UL94 V-0
- Matched receptacle housing: TJC4501B-2Y, TJC4501-2Y
- Matched pin contact: CZ-TJC4501, CZ-TJC4501-1,  
CZ-TJC4501-Q1, CZ-TJC4501-1Q1
- Matched retainer: TJC4501-2S
- Packaging: Packing bag
- Compliant to the current RoHS

CUSTOMER DRAWING						Title: 4.5mm pitch WTW receptacle housing	
Drawn	Naihao.Wang	2022.3.10	Unit	Scale	Size	Edition	Part No.: TJC4501(B)-2AR(**-*)
Checked	Guoying.Wang	2022.6.17	mm	2:1	A4	B2	Previous part No.: TJC4501-2A-1
Approved	Dongxu.Liu	2022.6.17	Sheet No.	1 of 1			Document No.: CP-DWG-01124
<b>CWB</b> 浙江合兴电子元件有限公司 CWB Electronics (Zhejiang) Co., Ltd.						Specification No.: PS4099	

General tolerance	Dimension	Tolerance	Rev. No	Location	Description	Reviser	Date
	0~3		±0.13				
3~18		±0.23					
18~50		±0.35					
≥50		±0.55					

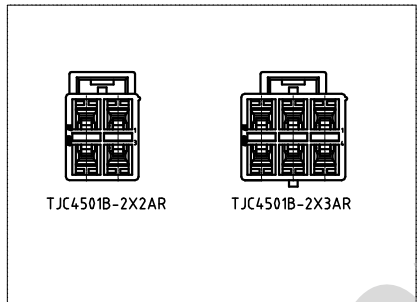
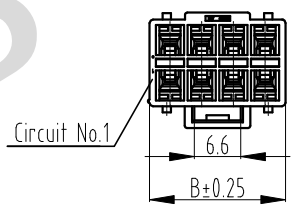
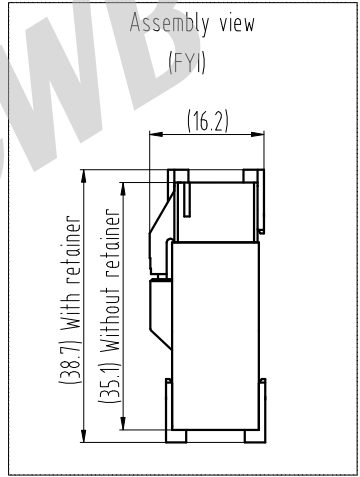
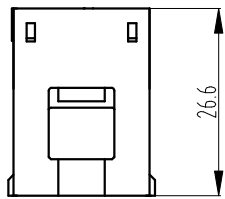
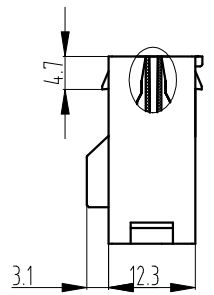
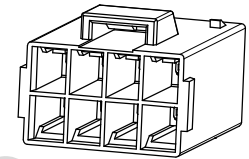
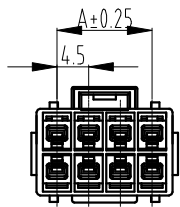


Notes:

1. Material  
Wafer: PA66 UL94 V-0
2. Matched receptacle housing: TJC4501B-3Y, TJC4501-3Y
3. Matched pin contact: CZ-TJC4501, CZ-TJC4501-1,  
CZ-TJC4501-Q1, CZ-TJC4501-1Q1
4. Matched retainer: TJC4501-3S
5. Packaging: Packing bag
6. Compliant to the current RoHS

CUSTOMER DRAWING						Title:	
Drawn	Zhibin.Wang	2022.4.20	Unit	Scale	Size	Edition	4.5mm pitch WTW receptacle housing
Checked	Guoying.Wang	2022.6.17	mm	2:1	A4	B0	Part No.: TJC4501(B)-3AR(**-*)
Approved	Dongxu.Liu	2022.6.17	Sheet No.	1 of 1			Previous part No.: TJC4501-3A-1
<b>CWB</b> 浙江合兴电子元件有限公司 CWB Electronics (Zhejiang) Co., Ltd.							Document No.: CP-DWG-01558
							Specification No.: PS4099

General Tolerance	Dimension	Tolerance	Rev. No	Location	Description	Reviser	Date
	0~3	±0.13					
	3~18	±0.23					
	18~50	±0.35					
	≥50	±0.55					



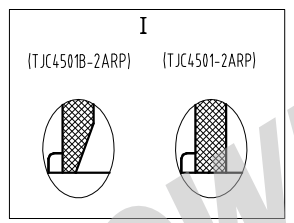
Notes:

- Material  
Wafer: PA66 UL94 V-0
- Matched receptacle housing: TJC4501B-2XnY, TJC4501-2XnY
- Matched pin contact: CZ-TJC4501, CZ-TJC4501-1,  
CZ-TJC4501-Q1, CZ-TJC4501-1Q1
- Matched retainer: TJC4501-nS
- Packaging: packing bag
- Compliant to the current RoHS

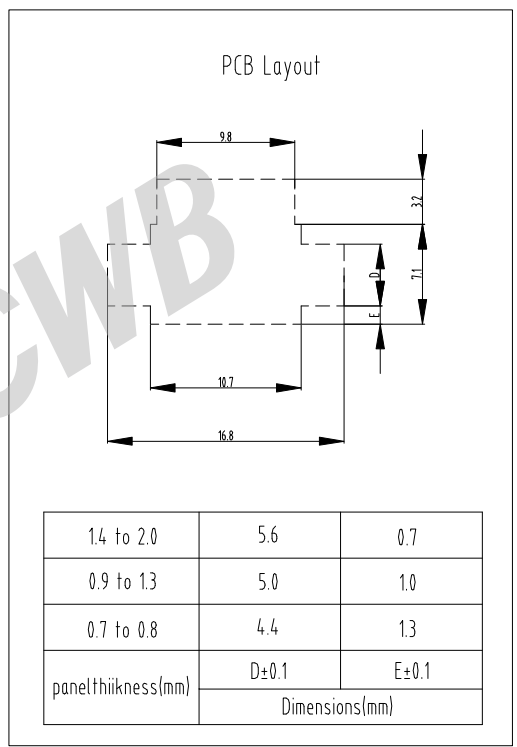
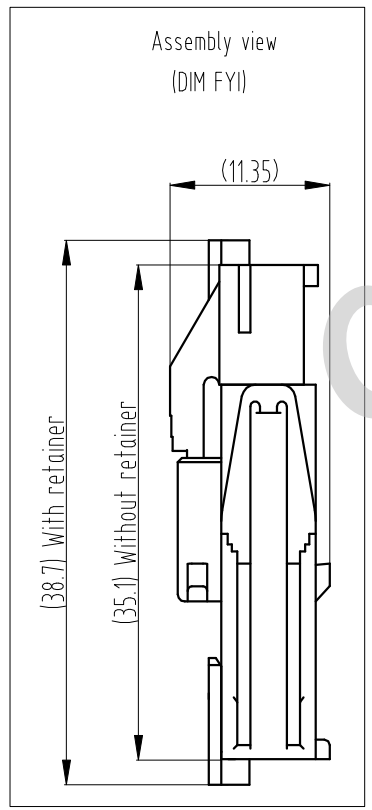
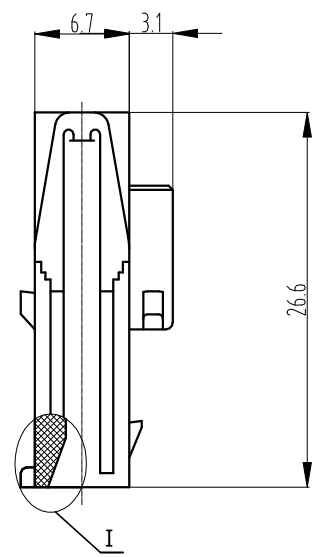
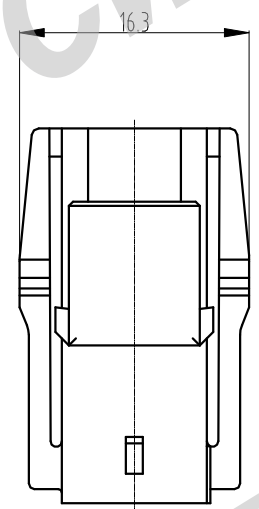
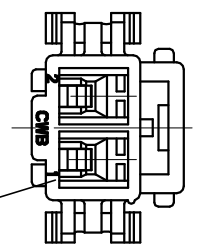
2X4	TJC4501B-2X4AR	13.5	19.3
2X3	TJC4501B-2X3AR	9	14.8
2X2	TJC4501B-2X2AR	4.5	10.3
Ckts	Part No.	Dimensions	
		A	B

CUSTOMER DRAWING						Title: 4.5mm pitch WTW receptacle housing	
Drawn	Heng.Yin	2022.6.17	Unit	Scale	Size	Edition	
Checked	Guoying.Wang	2022.6.17	mm	1:1	A4	B0	
Approved	Dongxu.Liu	2022.6.17	Sheet No.		1 Of 1	Part No.: TJC4501B-2XnAR(**-*)	
<b>CWB</b> 浙江合兴电子元件有限公司 CWB Electronics (Zhejiang) Co., Ltd.						Previous part No.: /	
						Document No.: CP-DWG-01597	
						Specification No.: PS4099	

General Tolerance	Dimension	Tolerance	Rev. No	Location	Description	Reviser	Date
	0~3		±0.13				
3~18		±0.23					
18~50		±0.35					
≥50		±0.55					

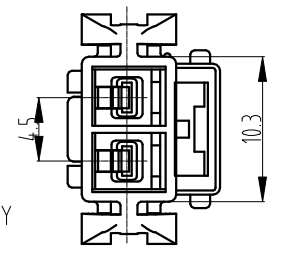


Circuit No.1



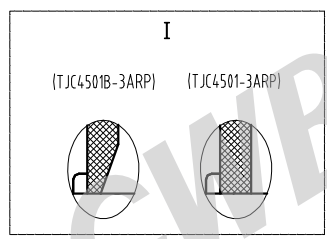
Notes:

- Material  
Wafer:  
Standards: PA66 UL94 V-0  
others: PA66 UL94 V-0 GWT750°C
- Matched receptacle housing: TJC4501B-2Y, TJC4501-2Y
- Matched pin contact: CZ-TJC4501, CZ-TJC4501-1,  
CZ-TJC4501-Q1, CZ-TJC4501-1Q1
- Matched retainer: TJC4501-2S
- Packaging: Packing bag
- Compliant to the current RoHS

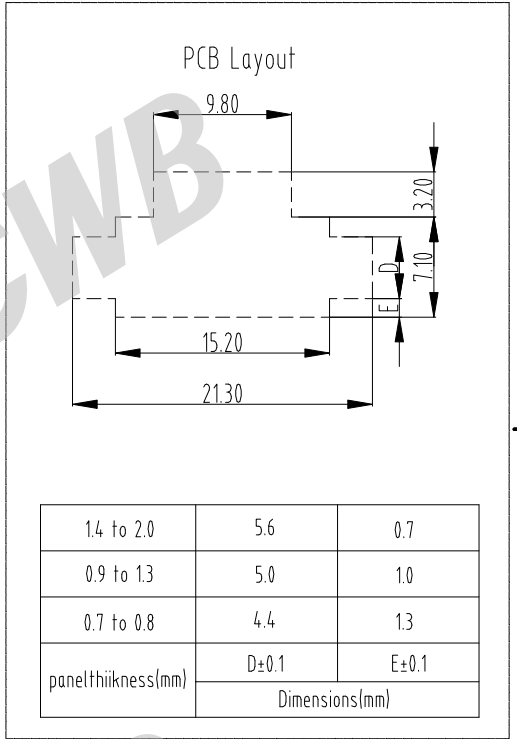
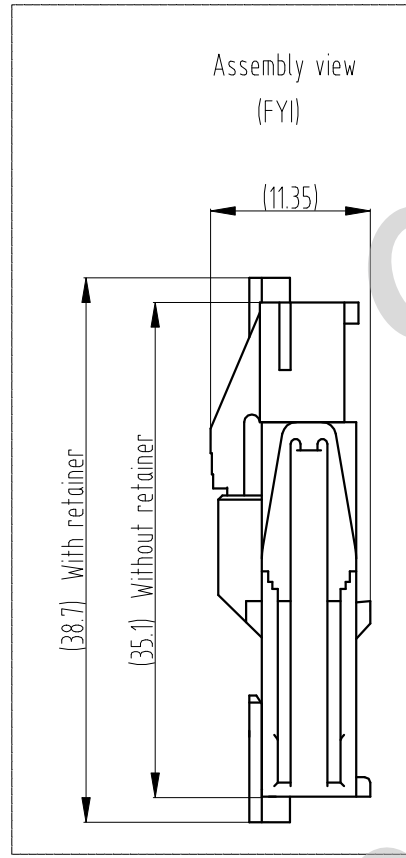
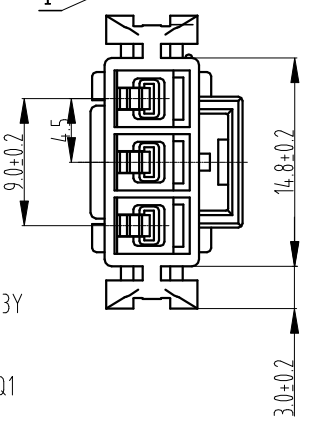
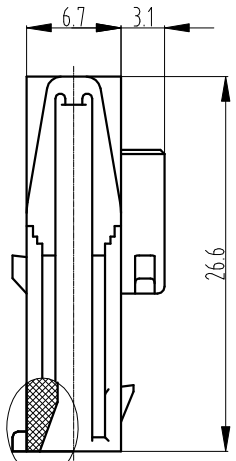
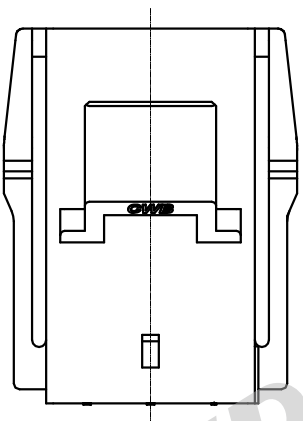
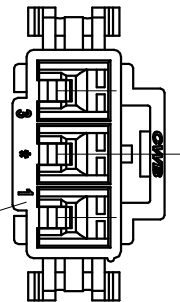


CUSTOMER DRAWING						Title: 4.5mm pitch WTW receptacle housing	
Drawn	Naihao.Wang	2022.3.10	Unit	Scale	Size	Edition	Part No.:TJC4501(B)-2ARP*(**-* )
Checked	Qu.Wang	2022.3.10	mm	2:1	A4	B2	Previous part No.:TJC4501A-2A / TJC4501-2A
			Sheet No.		1 Of 1		Document No.: CP-DWG-01121
Approved	Dongxu.Liu	2022.3.10	CWB 浙江合兴电子元件有限公司 CWB Electronics (Zhejiang) Co., Ltd.			Specification No.: PS4099	

General Tolerance	Dimension	Tolerance	Rev. No	Location	Description	Reviser	Date
	0~3	±0.13					
	3~18	±0.23					
	18~50	±0.35					
≥50	±0.55						



Circuit No.1

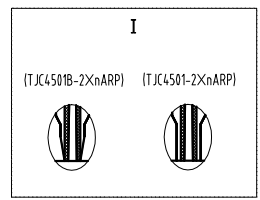
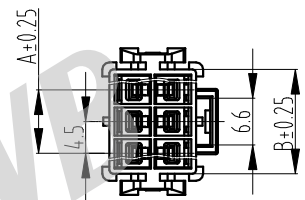
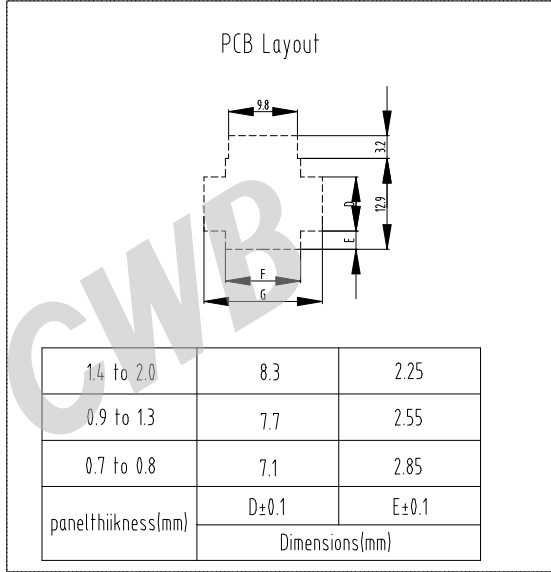
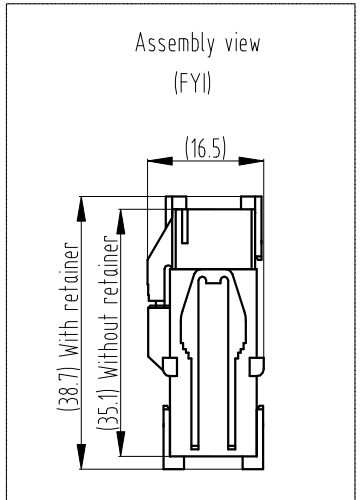
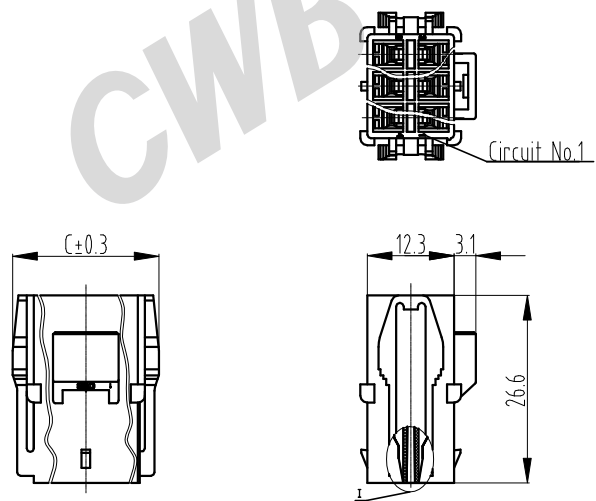


Notes:

- Material Wafer:  
Standards: PA66 UL94 V-0  
others: PA66 UL94 V-0 GWT750°C
- Matched receptacle housing: TJC4501B-3Y, TJC4501-3Y
- Matched pin contact: CZ-TJC4501, CZ-TJC4501-1,  
CZ-TJC4501-Q1, CZ-TJC4501-1Q1
- Matched retainer: TJC4501-3S
- Packaging: Packing bag
- Compliant to the current RoHS

CUSTOMER DRAWING						Title: 4.5mm pitch WTW receptacle housing	
Drawn	Naihao.Wang	2022.3.10	Unit	Scale	Size	Edition	Part No.:TJC4501(B)-3ARP*(**-**)
Checked	Guoying.Wang	2022.6.17	mm	2:1	A4	B2	Previous part No.:TJC4501A-3A / TJC4501-3A
			Sheet No.	1 Of 1			Document No.: CP-DWG-01122
Approved	Dongxu.Liu	2022.6.17	<b>CWB</b> 浙江合兴电子元件有限公司 CWB Electronics (Zhejiang) Co., Ltd.			Specification No.: PS4.099	

General Tolerance	Dimension	Tolerance	Rev. No	Location	Description	Reviser	Date
	0~3	±0.13					
	3~18	±0.23					
	18~50	±0.35					
	≥50	±0.55					



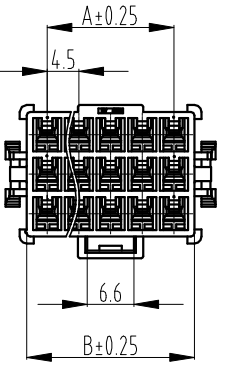
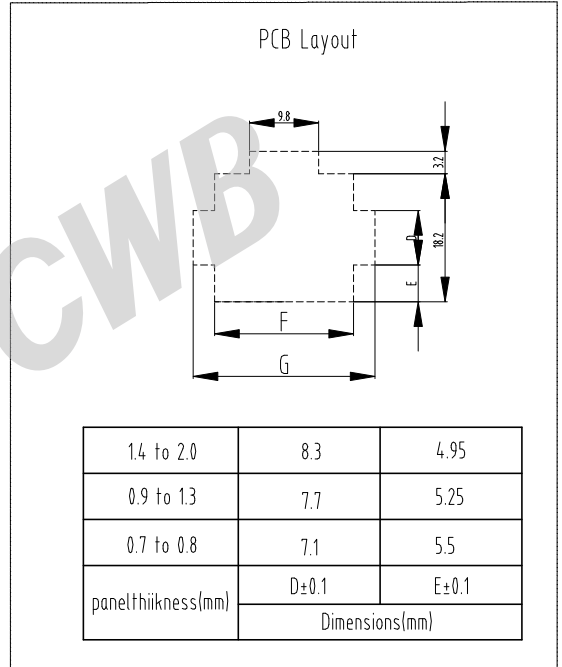
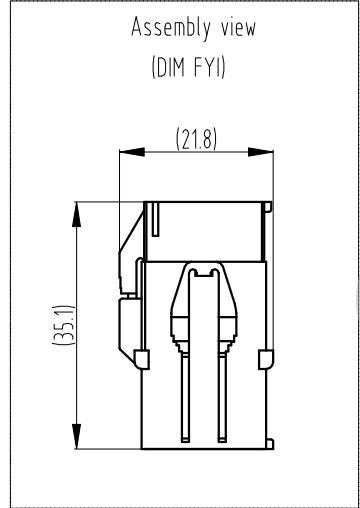
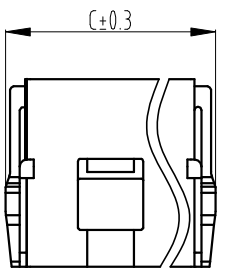
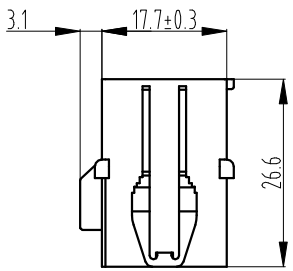
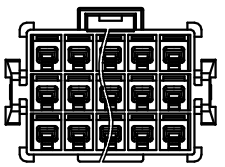
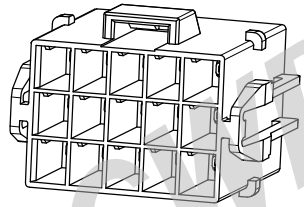
Notes:

- Material  
Wafer:  
Standards: PA66 UL94 V-0  
others: PA66 UL94 V-0 GWT750℃
- Matched receptacle housing: TJC4501B-2XnY, TJC4501-2XnY
- Matched pin contact: CZ-TJC4501, CZ-TJC4501-1,  
CZ-TJC4501-Q1, CZ-TJC4501-1Q1
- Matched retainer: TJC4501-nS
- Packaging: packing bag
- Compliant to the current RoHS

2X8	TJC4501B-2X8ARP	/	31.5	37.3	43.3	37.9	43.8
2X6	TJC4501B-2X6ARP	/	22.5	28.3	34.3	28.9	34.8
2X4	TJC4501B-2X4ARP	/	13.5	19.3	25.3	19.8	25.8
2X3	TJC4501-2X3ARP	TJC4501-6A	9	14.8	20.8	15.3	21.3
2X3	TJC4501B-2X3ARP	TJC4501A-6A	9	14.8	20.8	15.3	21.3
2X2	TJC4501-2X2ARP	TJC4501-4A	4.5	10.3	16.3	10.7	16.8
2X2	TJC4501B-2X2ARP	TJC4501A-4A	4.5	10.3	16.3	10.7	16.8
Ckts	Part No.	Previous part No.	Dimensions				
			A	B	C	F	G

CUSTOMER DRAWING						Title: 4.5mm pitch WTW receptacle housing	
Drawn	Naihao.Wang	2022.3.10	Unit	Scale	Size	Edition	
			mm	1:1	A4	B2	
Checked	Guoying.Wang	2022.6.17	Sheet No.	1 Of 1		Part No.: TJC4501(B)-2XnARP*(**~*)	
						Previous part No.: TJC4501A-nA/TJC4501-nA	
Approved	Dongxu.Liu	2022.6.17	CWB 浙江合兴电子元件有限公司 CWB Electronics (Zhejiang) Co., Ltd.			Document No.: CP-DWG-01123	
						Specification No.: PS4099	

General tolerance	Dimension	Tolerance	Rev. No	Location	Description	Reviser	Date
	0~3	±0.13					
	3~18	±0.23					
	18~50	±0.35					
	≥50	±0.55					



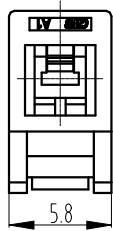
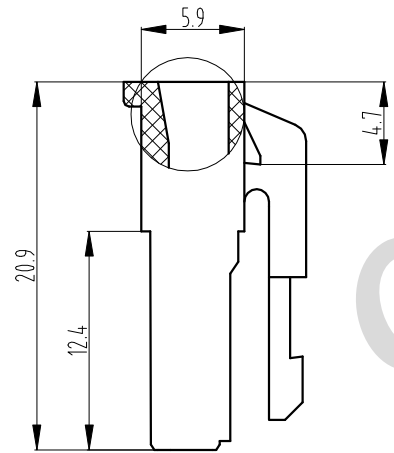
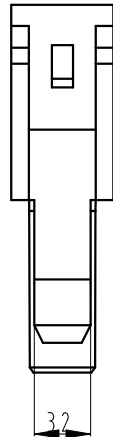
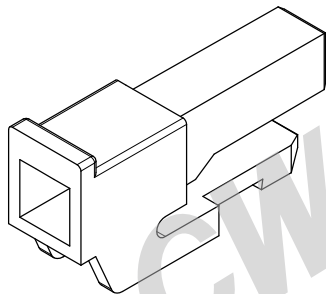
Notes:

- Material  
Wafer: PA66 UL94 V-0
- Matched receptacle housing: TJC4501B-3XnY
- Matched pin contact: CZ-TJC4501, CZ-TJC4501-1,  
CZ-TJC4501-Q1, CZ-TJC4501-1Q1
- Packaging: packing bag
- Compliant to the current RoHS

Ckts	Part No.	A	B	C	F	G
3X7	TJC4501B-3X7ARP	27	32.8	29.8	33.5	39.3
3X5	TJC4501B-3X5ARP	18	23.8	29.8	24.4	30.3
3X4	TJC4501B-3X4ARP	13.5	19.3	25.3	19.8	25.8
3X3	TJC4501B-3X3ARP	9	14.8	20.8	15.3	21.3

CUSTOMER DRAWING							Title: 4.5mm pitch WTW receptacle housing				
Drawn	Heng.Yin	2022.6.17	Unit	Scale	Size	Edition	Part No.: TJC4501B-3XnARP(**-*)				
Checked	Guoying.Wang	2022.6.17	mm	1:1	A4	B0	Previous part No.: /				
Approved	Dongxu.Liu	2022.6.17	Sheet No.	1 Of 1			Document No.: CP-DWG-01595				
CWB 浙江合兴电子元件有限公司 CWB Electronics (Zhejiang) Co., Ltd.							Specification No.: PS4099				

General Tolerance	Dimension	Tolerance	Rev. No	Location	Description	Reviser	Date
	0~3		±0.13				
3~18		±0.23					
18~50		±0.35					
≥50		±0.55					



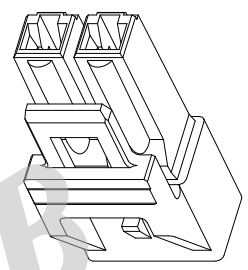
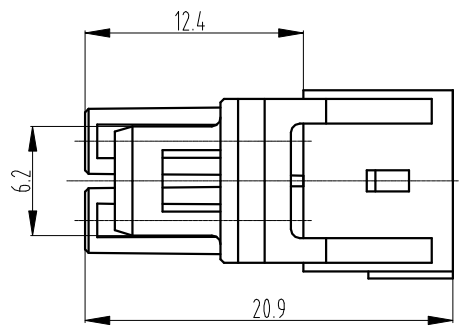
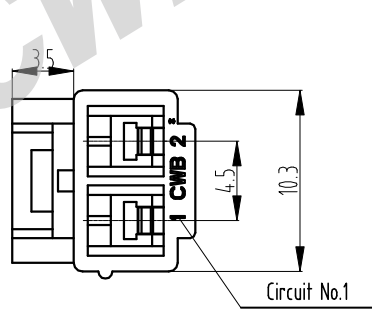
Notes:

1. Material  
Wafer: PA66,UL94 V-0
2. Matched plug housing: TJC4501B-1AR
3. Matched socket contact: CH-TJC4501, CH-TJC4501-1,  
CH-TJC4501-Q1, CH-TJC4501-1Q1
4. Matched retainer: TJC4501-1S
5. Packaging: Packing bag
6. Compliant to the current RoHS

CUSTOMER DRAWING						Title: 4.5mm pitch WTW plug housing	
Drawn	Heng.Yin	2022.6.17	Unit	Scale	Size	Edition	Part No.: TJC4501B-1Y (**-*)
Checked	Guoying.Wang	2022.6.17	mm	2.5:1	A4	B0	Previous part No.: /
Approved	Dongxu.Liu	2022.6.17	Sheet No.	1 Of 1			Document No.: CP-DWG-01593
<b>CWB</b> 浙江合兴电子元件有限公司 CWB Electronics (Zhejiang) Co., Ltd.						Specification No.: PS4099	

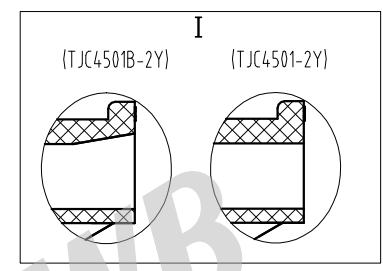
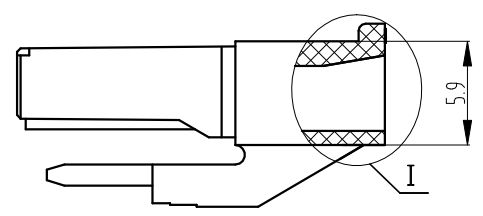


General Tolerance	Dimension	Tolerance	Rev. No	Location	Description	Reviser	Date
	0~3	±0.13					
	3~18	±0.23					
	18~50	±0.35					
	≥50	±0.55					



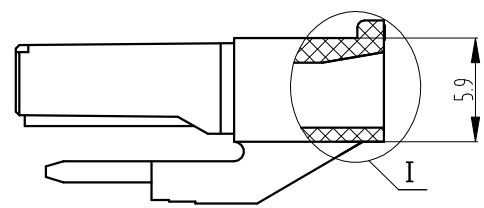
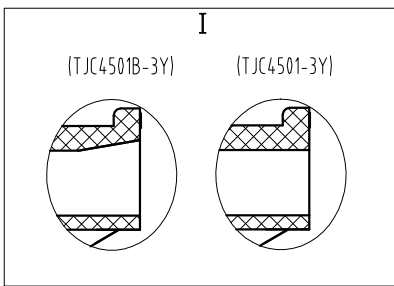
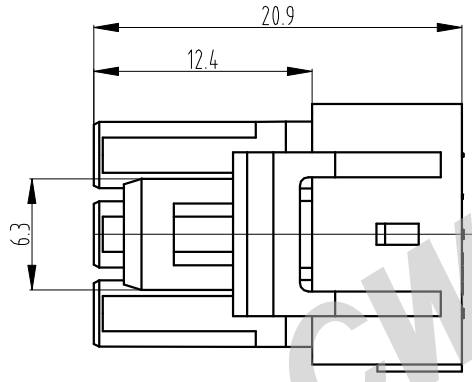
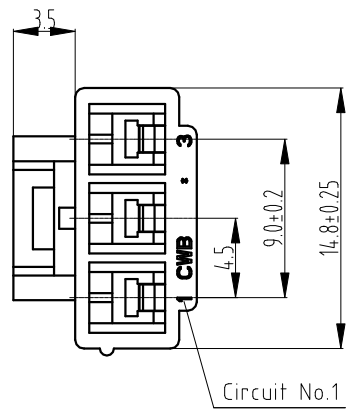
Notes:

- 1.Material  
Wafer:  
Standards: PA66,UL94 V-0  
Others: PA66 UL94 V-0 GWT750℃
- 2.Matched plug housing: TJC4501B-2ARP  
TJC4501-2AR,TJC4501-2ARP
- 3.Matched socket contact: CH-TJC4501, CH-TJC4501-1,  
CH-TJC4501-Q1, CH-TJC4501-1Q1
- 4.Matched retainer: TJC4501-2S
- 5.Packaging: Packing bag
- 6.Compliant to the current RoHS



CUSTOMER DRAWING						Title: 4.5mm pitch WTW plug housing	
Drawn	Naihao.Wang	2022.3.10	Unit	Scale	Size	Edition	Part No.:TJC4501(B)-2Y*(**-**)
Checked	Qu.Wang	2022.3.10	mm	2.5:1	A4	B2	Previous part No.:TJC4501A-2Y/TJC4501-2Y
			Sheet No.		1 Of 1		Document No.: CP-DWG-01118
Approved	Dongxu.Liu	2022.3.10	<b>CWB</b> 浙江合兴电子元件有限公司 CWB Electronics (Zhejiang) Co., Ltd.			Specification No.: PS4.099	

General Tolerance	Dimension	Tolerance	Rev. No	Location	Description	Reviser	Date
	0~3	±0.13					
	3~18	±0.23					
	18~50	±0.35					
	≥50	±0.55					

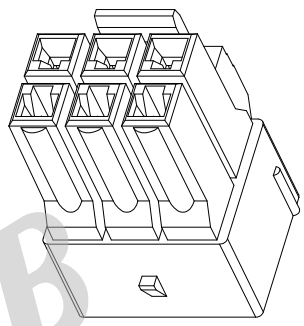
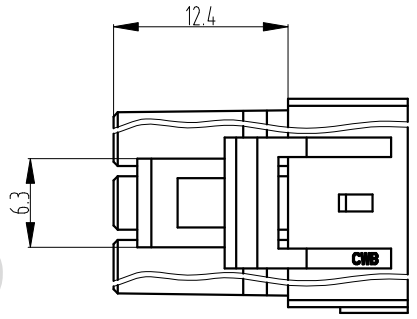
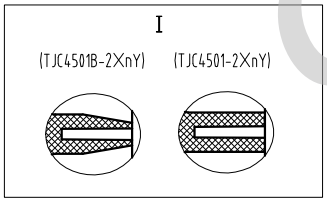
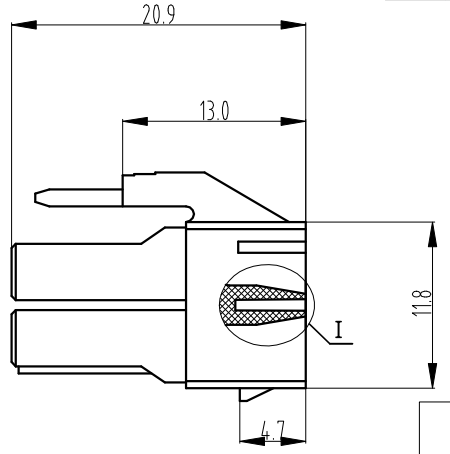
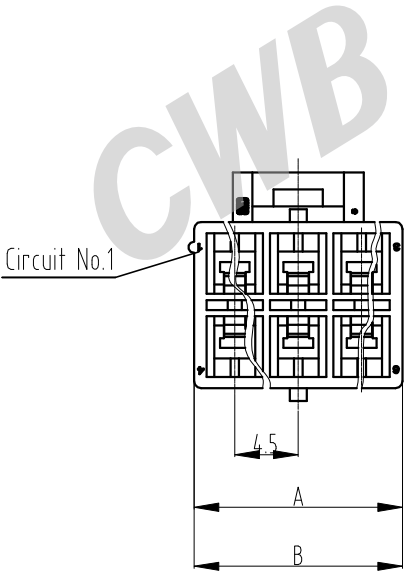


Notes:

- 1.Material  
Wafer:  
Standards: PA66,UL94 V-0  
others: PA66 UL94 V-0 GWT750℃
- 2.Matched plug housing: TJC4501B-3ARP, TJC4501-3ARP, TJC4501-3AR, TJC4501B-3AR
- 3.Matched socket contact: CH-TJC4501, CH-TJC4501-1,  
CH-TJC4501-Q1, CH-TJC4501-1Q1
- 4.Matched retainer: TJC4501-3S
- 5.Packaging: Packing bag
- 6.Compliant to the current RoHS

CUSTOMER DRAWING						Title: 4.5mm pitch WTW plug housing	
Drawn	Naihao.Wang	2022.3.10	Unit	Scale	Size	Edition	Part No.:TJC4501(B)-3Y*(**-* )
Checked	Qu.Wang	2022.3.10	mm	2.5:1	A4	B2	Previous part No.:TJC4501A-3Y / TJC4501-3Y
			Sheet No.		1 Of 1		Document No.: CP-DWG-01119
Approved	Dongxu.Liu	2022.3.10	<b>CWB</b> 浙江合兴电子元件有限公司 CWB Electronics (Zhejiang) Co., Ltd.			Specification No.: PS4099	

General Tolerance	Dimension	Tolerance	Rev. No	Location	Description	Reviser	Date
	0~3	±0.13					
	3~18	±0.23					
	18~50	±0.35					
≥50	±0.55						



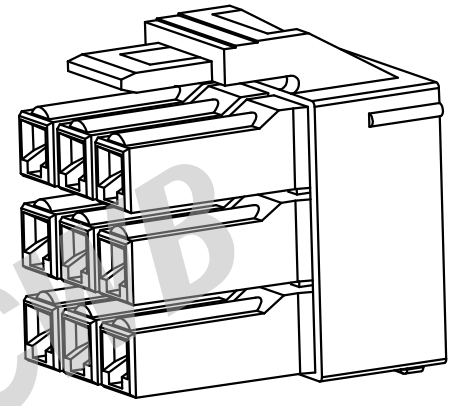
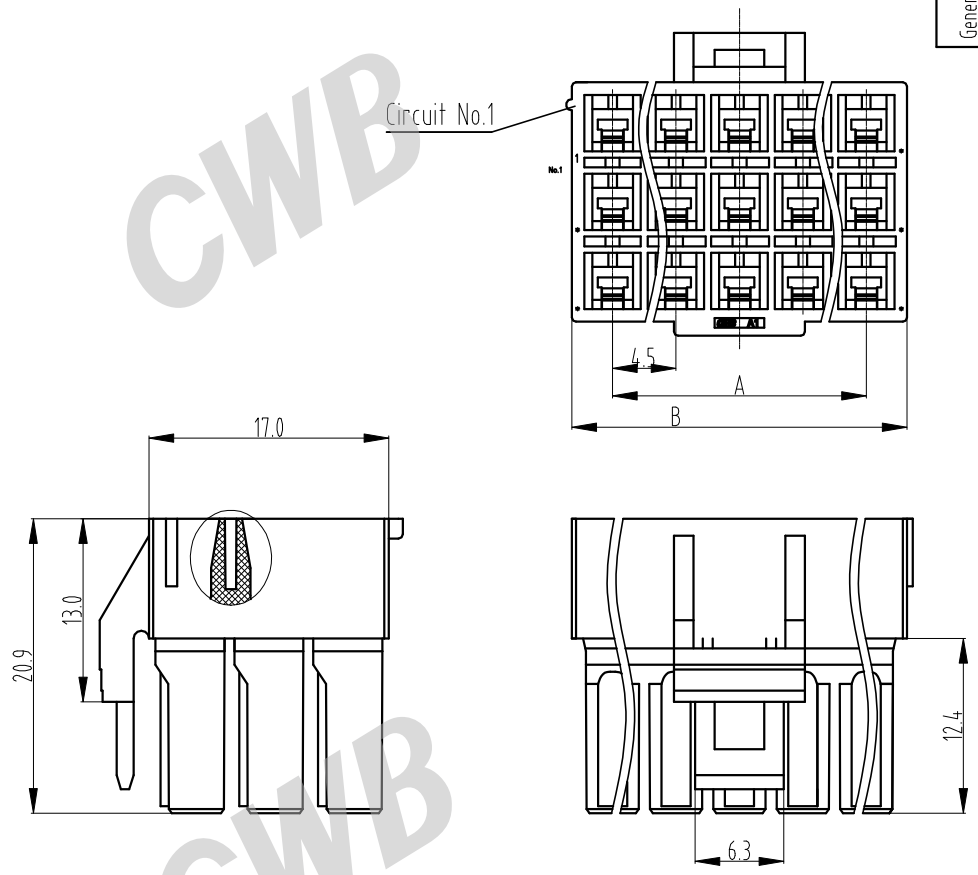
Notes:

- 1.Material  
Wafer:  
Standards: PA66 UL94 V-0  
others: PA66 UL94 V-0 GWT750℃
- 2.Matched plug housing: TJC4501B-2XnARP, TJC4501-2XnARP, TJC4501B-2XnAR
- 3.Matched socket contact: CH-TJC4501, CH-TJC4501-1,  
CH-TJC4501-Q1, CH-TJC4501-1Q1
- 4.Matched retainer: TJC4501-nS
- 5.Packaging: Packing bag
- 6.Compliant to the current RoHS

Ckts(n)	Part No.	Previous part No.	Dimensions	
			A	B
2X8	TJC4501B-2X8Y	/	31.5	37.3
2X6	TJC4501B-2X6Y	/	22.5	28.3
2X4	TJC4501B-2X4Y	/	13.5	19.3
2X3	TJC4501B-2X3Y	TJC4501A-6Y	9	14.8
2X3	TJC4501-2X3Y	TJC4501-6Y	9	14.8
2X2	TJC4501B-2X2Y	TJC4501A-4Y	4.5	10.3
2X2	TJC4501-2X2Y	TJC4501-4Y	4.5	10.3

CUSTOMER DRAWING						Title: 4.5mm pitch WTW plug housing	
Drawn	Naihao.Wang	2022.3.10	Unit	Scale	Size	Edition	
Checked	Guoying.Wang	2022.6.17	mm	2:1	A4	B2	
Approved	Dongxu.Liu	2022.6.17	Sheet No.	1 Of 1		Part No.: TJC4501(B)-2XnY*(**~*)	
<b>CWB</b> 浙江合兴电子元件有限公司 CWB Electronics (Zhejiang) Co., Ltd.						Previous part No.:TJC4501A-nY/TJC4501-nY	
						Document No.: CP-DWG-01120	
						Specification No.: PS4099	

General Tolerance	Dimension	Tolerance	Rev. No	Location	Description	Reviser	Date
	0~3	±0.13					
	3~18	±0.23					
	18~50	±0.35					
	≥50	±0.55					

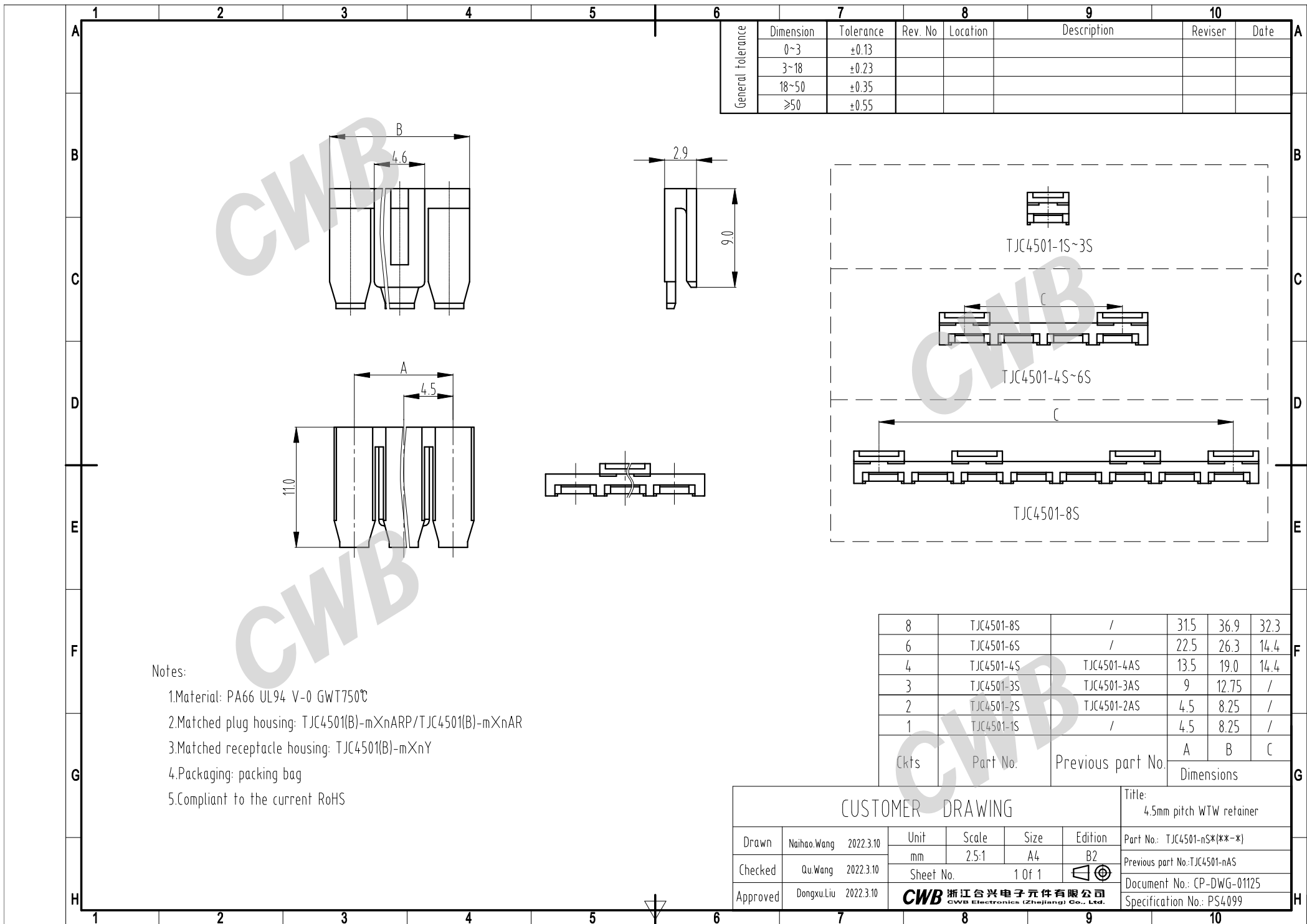


Notes:

- Material  
Wafer: PA66 UL94 V-0
- Matched plug housing: TJC4501B-3XnARP
- Matched socket contact: CH-TJC4501, CH-TJC4501-1,  
CH-TJC4501-Q1, CH-TJC4501-1Q1
- Packaging: Packing bag
- Compliant to the current RoHS

3X7	TJC4501B-3X7Y	/	27	32.8
3X5	TJC4501B-3X5Y	/	18	23.8
3X4	TJC4501B-3X4Y	/	13.5	19.3
3X3	TJC4501B-3X3Y	/	9	14.8
Ckts(n)	Part No.	Previous part No.	Dimensions	
			A	B

CUSTOMER DRAWING						Title:
Drawn	Heng.Yin	2022.6.17	Unit	Scale	Size	4.5mm pitch WTW plug housing
Checked	Guoying.Wang	2022.6.17	mm	2:1	A4	Part No.: TJC4501B-3XnY(**-*)
Approved	Dongxu.Liu	2022.6.17	Sheet No.	1 Of 1	B2	Previous part No.:/
<b>CWB</b> 浙江合兴电子元件有限公司 CWB Electronics (Zhejiang) Co., Ltd.						Document No.: CP-DWG-01594
						Specification No.: PS4099



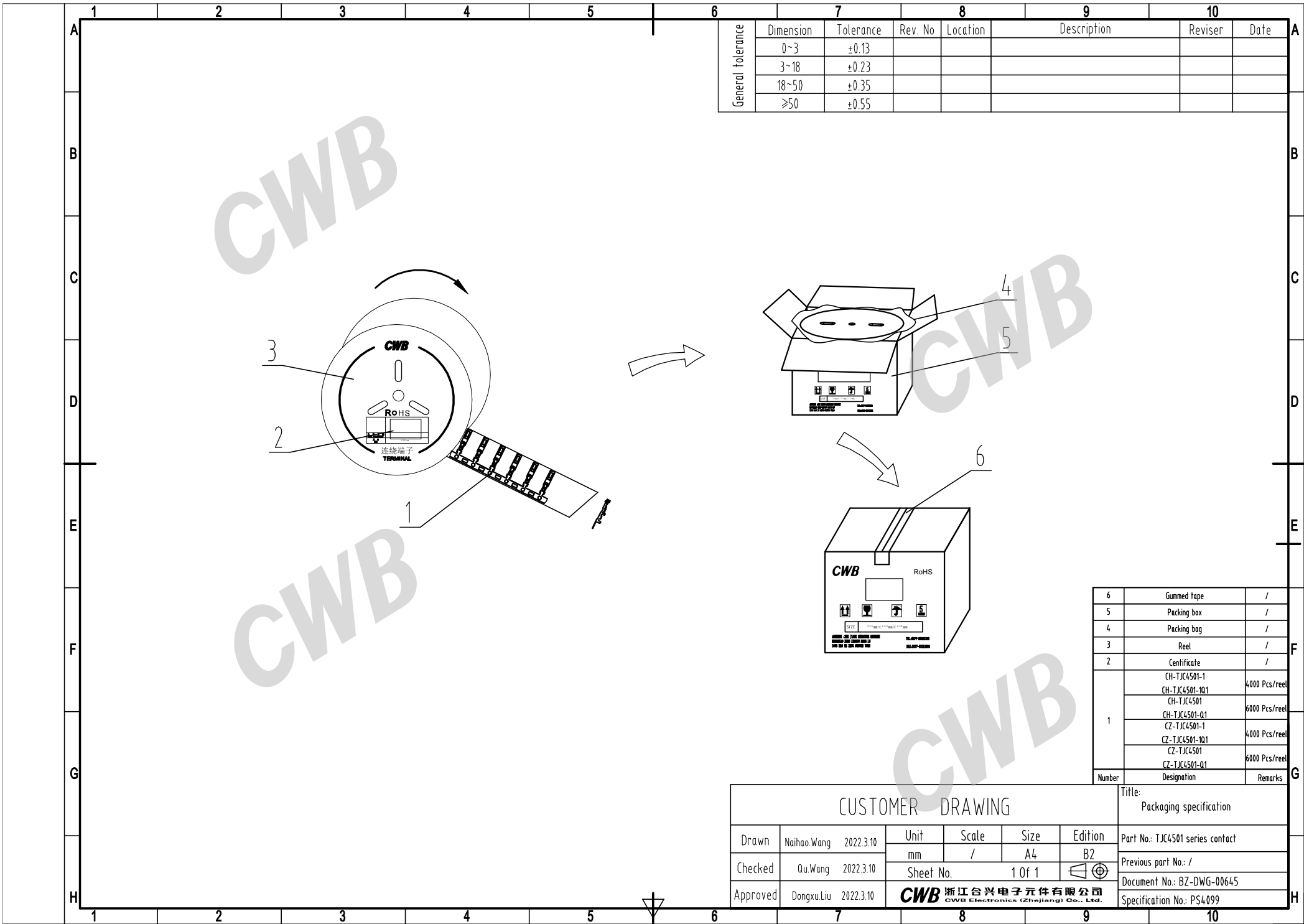
General Tolerance	Dimension	Tolerance	Rev. No	Location	Description	Reviser	Date
	0~3	±0.13					
	3~18	±0.23					
	18~50	±0.35					
	≥50	±0.55					

Notes:

- 1.Material: PA66 UL94 V-0 GWT750℃
- 2.Matched plug housing: TJC4501(B)-mXnARP/TJC4501(B)-mXnAR
- 3.Matched receptacle housing: TJC4501(B)-mXnY
- 4.Packaging: packing bag
- 5.Compliant to the current RoHS

8	TJC4501-8S	/	31.5	36.9	32.3
6	TJC4501-6S	/	22.5	26.3	14.4
4	TJC4501-4S	TJC4501-4AS	13.5	19.0	14.4
3	TJC4501-3S	TJC4501-3AS	9	12.75	/
2	TJC4501-2S	TJC4501-2AS	4.5	8.25	/
1	TJC4501-1S	/	4.5	8.25	/
Ckts	Part No.	Previous part No.	Dimensions		
			A	B	C

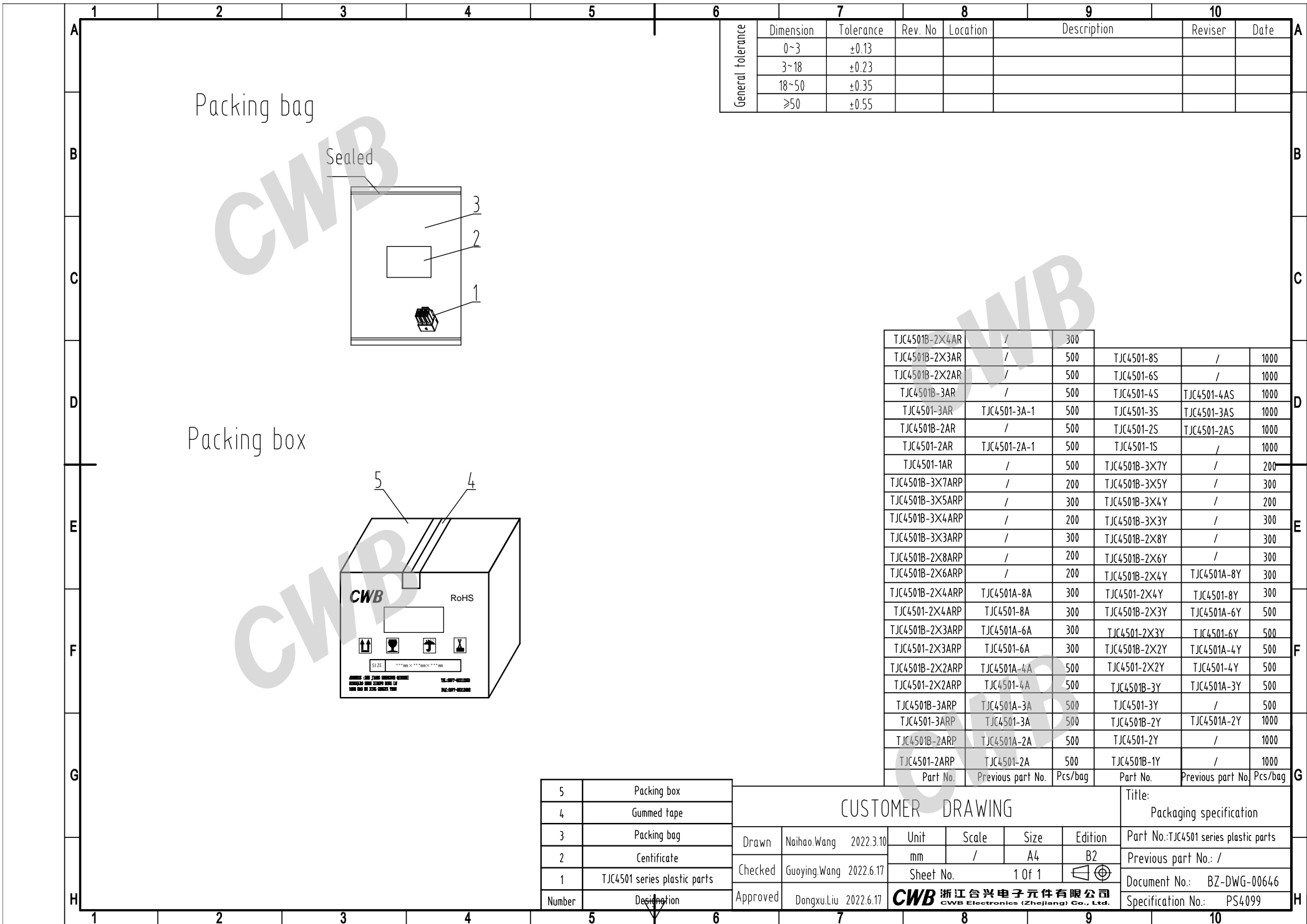
CUSTOMER DRAWING							Title: 4.5mm pitch WTW retainer		
Drawn	Naihao.Wang	2022.3.10	Unit	Scale	Size	Edition	Part No.: TJC4501-nS*(**~*)		
Checked	Qu.Wang	2022.3.10	mm	2.5:1	A4	B2	Previous part No.:TJC4501-nAS		
Approved	Dongxu.Liu	2022.3.10	Sheet No.	1 Of 1			Document No.: CP-DWG-01125		
<b>CWB</b> 浙江合兴电子元件有限公司 CWB Electronics (Zhejiang) Co., Ltd.							Specification No.: PS4099		



General Tolerance	Dimension	Tolerance	Rev. No	Location	Description	Reviser	Date
	0~3	±0.13					
	3~18	±0.23					
	18~50	±0.35					
	≥50	±0.55					

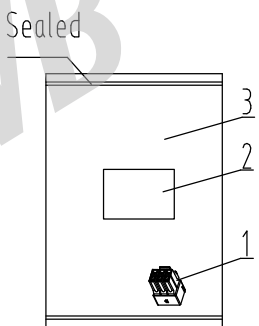
6	Gummed tape	/
5	Packing box	/
4	Packing bag	/
3	Reel	/
2	Certificate	/
1	CH-TJC4501-1	4000 Pcs/reel
	CH-TJC4501-1Q1	
	CH-TJC4501	6000 Pcs/reel
	CH-TJC4501-Q1	
	CZ-TJC4501-1	4000 Pcs/reel
CZ-TJC4501-1Q1		
CZ-TJC4501	6000 Pcs/reel	
CZ-TJC4501-Q1		
Number	Designation	Remarks

CUSTOMER DRAWING						Title: Packaging specification	
Drawn	Naihao.Wang	2022.3.10	Unit	Scale	Size	Edition	Part No: TJC4501 series contact
Checked	Qu.Wang	2022.3.10	mm	/	A4	B2	
Approved	Dongxu.Liu	2022.3.10	Sheet No.	1 Of 1			Previous part No: /
<b>CWB</b> 浙江合兴电子元件有限公司 CWB Electronics (Zhejiang) Co., Ltd.						Document No: BZ-DWG-00645	
						Specification No: PS4099	

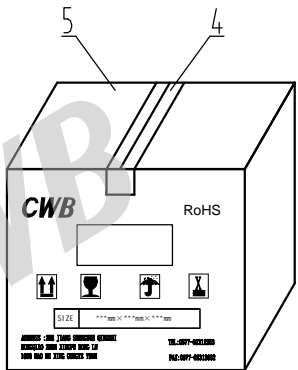


General Tolerance	Dimension	Tolerance	Rev. No	Location	Description	Reviser	Date
	0~3	±0.13					
	3~18	±0.23					
	18~50	±0.35					
	≥50	±0.55					

Packing bag



Packing box



TJC4501B-2X4AR	/	300			
TJC4501B-2X3AR	/	500	TJC4501-8S	/	1000
TJC4501B-2X2AR	/	500	TJC4501-6S	/	1000
TJC4501B-3AR	/	500	TJC4501-4S	TJC4501-4AS	1000
TJC4501-3AR	TJC4501-3A-1	500	TJC4501-3S	TJC4501-3AS	1000
TJC4501B-2AR	/	500	TJC4501-2S	TJC4501-2AS	1000
TJC4501-2AR	TJC4501-2A-1	500	TJC4501-1S	/	1000
TJC4501-1AR	/	500	TJC4501B-3X7Y	/	200
TJC4501B-3X7ARP	/	200	TJC4501B-3X5Y	/	300
TJC4501B-3X5ARP	/	300	TJC4501B-3X4Y	/	200
TJC4501B-3X4ARP	/	200	TJC4501B-3X3Y	/	300
TJC4501B-3X3ARP	/	300	TJC4501B-2X8Y	/	300
TJC4501B-2X8ARP	/	200	TJC4501B-2X6Y	/	300
TJC4501B-2X6ARP	/	200	TJC4501B-2X4Y	TJC4501A-8Y	300
TJC4501B-2X4ARP	TJC4501A-8A	300	TJC4501-2X4Y	TJC4501-8Y	300
TJC4501-2X4ARP	TJC4501-8A	300	TJC4501B-2X3Y	TJC4501A-6Y	500
TJC4501B-2X3ARP	TJC4501A-6A	300	TJC4501-2X3Y	TJC4501-6Y	500
TJC4501-2X3ARP	TJC4501-6A	300	TJC4501B-2X2Y	TJC4501A-4Y	500
TJC4501B-2X2ARP	TJC4501A-4A	500	TJC4501-2X2Y	TJC4501-4Y	500
TJC4501-2X2ARP	TJC4501-4A	500	TJC4501B-3Y	TJC4501A-3Y	500
TJC4501B-3ARP	TJC4501A-3A	500	TJC4501-3Y	/	500
TJC4501-3ARP	TJC4501-3A	500	TJC4501B-2Y	TJC4501A-2Y	1000
TJC4501B-2ARP	TJC4501A-2A	500	TJC4501-2Y	/	1000
TJC4501-2ARP	TJC4501-2A	500	TJC4501B-1Y	/	1000
Part No.	Previous part No.	Pcs/bag	Part No.	Previous part No.	Pcs/bag

5	Packing box
4	Gummed tape
3	Packing bag
2	Certificate
1	TJC4501 series plastic parts
Number	Description

CUSTOMER DRAWING			
Drawn	Naihao.Wang 2022.3.10	Unit	Scale
Checked	Guoying.Wang 2022.6.17	mm	/
Approved	Dongxu.Liu 2022.6.17	Sheet No.	1 Of 1
<b>CWB</b> 浙江合兴电子元件有限公司 CWB Electronics (Zhejiang) Co., Ltd.			

Title:	
Packaging specification	
Part No.:	TJC4501 series plastic parts
Previous part No.:	/
Document No.:	BZ-DWG-00646
Specification No.:	PS4099

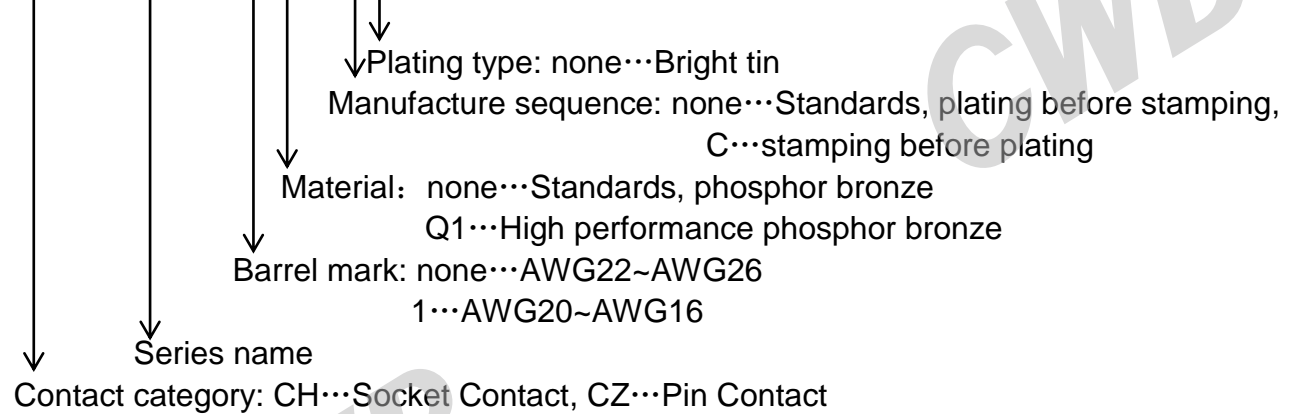
## TJC4501 系列命名规则

### TJC4501 series naming conventions

#### 1. Contact

CH-TJC4501-\*\*-\*\*/CZ-TJC4501-\*\*-\*\*

CH - TJC4501 - \* \* - \* \*

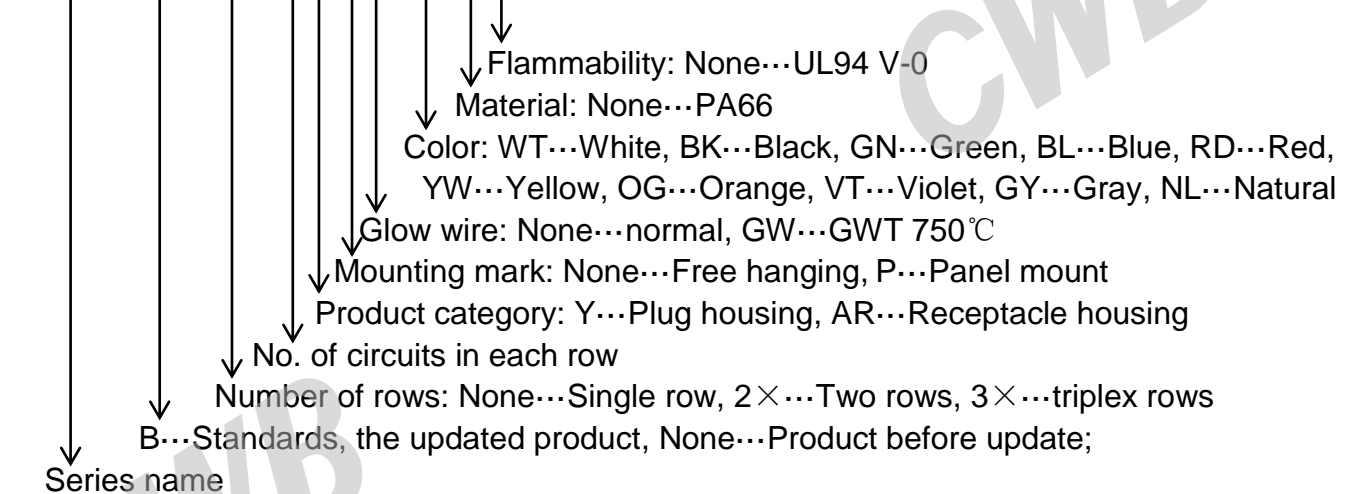


#### 2. Receptacle housing & Plug housing

TJC4501B-m × nY \*(\*\*\*) , TJC4501B-m × nARP \*(\*\*\*)

TJC4501-m × nY \*(\*\*\*) , TJC4501-m × nARP \*(\*\*\*) , TJC4501-m × nAR \*(\*\*\*)

TJC4501 B - m × n Y \* \* \* ( WT \* \* \* )





### 3. Retainer

TJC4501-nS \* (\*\*-\*)

TJC4501 - n S GW (NL \* -\*)

↓  
Series name

↓  
No. of circuits: 2~8

↓  
Product category: S...Common retainer for both housing and receptacle housing

↓  
Glow wire: GW...GWT 750°C

↓  
Color: NL...Natural, BK...Black, GN...Green, BL...Blue, RD...Red,  
YW...Yellow, OG...Orange, VT...Violet, GY...Gray

↓  
Material: None...PA66

↓  
Flammability: None...UL94 V-0

↓

